



EVI 7

22 mm Coil System

EVI 7/8 EVI 7/9 EVI 7/10

EVI 7

Coil System

The EVI 7 system by Amisco includes a wide range of 22mm coils, designed for pneumatic applications. This coil family is available for tubes with 8, 9 and 10mm diameter.

The coils are available with different voltages and connections: types, power and other features are described in the following pages.

All coils feature:

- heat resistant bobbin moulded with 30% glass filled thermoplastic polyester material
- class H wire 200°C according to IEC 60317-13
- built-in magnetic yoke made by low carbon iron
- encapsulation with high quality specially designed glass filled nylon (thermoset material on demand for EVI 7/9 coil)
- copper and plastic material used are UL-Listed

The use of other materials is possible upon special agreements. Coils are rated to class F. The coil is designed and constructed in accordance to EN 60204.1 and VDE 0580 and it is suitable for industrial ambient conditions. For use in special ambients with high humidity, we suggest the sealed or thermoset version; please refer to kit for humid application (details in the following pages)

The coil is also in conformity with 2014/34/UE for electrical apparatus of group II, category 3 (Ex nA II 3 GD T3, T4, T5)

GAS: Ex nA IIC Tx Gc

DUST: Ex tc IIIC Tx Dc

For further information about Atex versions, see the "ATEX Products" catalogue.

Coil can be supplied and marked CSA/UL for Electrical Insulation System (EIS) "E300N", designated by Amisco as AMIH - UL file E343908.

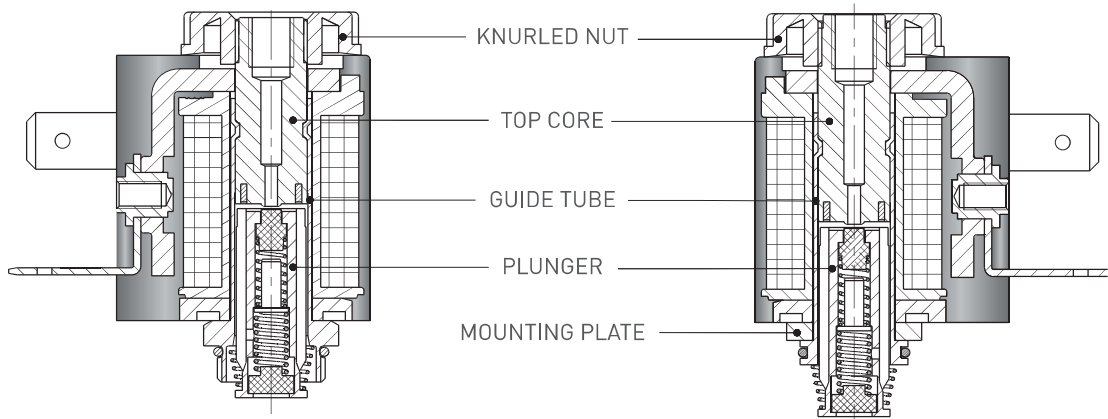
Coil can be supplied and marked EAC for use in Russian Market.

More details about UL and EAC certification can be given on customer request.

The EVI 7/9 coils can be equipped with the suitable plunger guide tube (see S8 - S9 Catalogue) or even in combination with a complete pilot valve. In this case refer to 22mm 30mm pilot valve system catalogue.

The EVI 7/8 coils can be equipped with the suitable plunger guide tube (see S8 - S9 Catalogue).

The coil is fastened to the solenoid operator by means of a knurled nut for ease of change over without interrupting the pneumatic circuit.



The specifications and drawings contained herein are believed to be correct and are given in good faith, however no liability is accepted therefore. Manufacturer reserves the right to modify said specifications and drawings without notice for technical or commercial reasons.

COIL CODING SPECIFICATIONS

PART NUMBER:

0 7 9 9 Y K 5 5 5 4 4 * *

COIL BORING

08 = 8 mm
09 = 9 mm
10 = 10 mm

ELECTRICAL CONNECTION

C = Flying Leads
D = DIN 43650 B
E = AMP 6.3x0.8 mm Epoxy Sealed Version (only 7/9)
F = AMP 6.3x0.8 mm UL Version (only 7/9)
G = AMP 6.3x0.8 mm Sealed Version (only 7/9)
J = Flying Leads Sealed Version (only 7/9)
K = UL Flying Leads (only 7/9)
L = M12 LED (only 7/9)
S = AMP 6.3x0.8 mm

SUPPLY CURRENT

A = Alternating current (A.C.)
D = Direct current (D.C.)
R = Rectified alternating current (R.A.C.)

NOMINAL VOLTAGE

Example: 024 = 24V
220 = 220 V

EVI 7/8 WINDING CODE

Nominal Voltage	Power	Winding Code
12VDC	5.5W	02
	2.5W	03
24VDC	5.5W	02
	2.5W	03
24VAC	6.5VA	01
	3.5VA	06
110VAC	6.5VA	01
230VAC	7.5VA	01

EVI 7/9 WINDING CODE

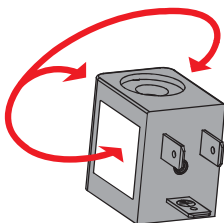
Nominal Voltage	Power	Winding Code
12VDC	3W	03
	4.2W	06
	6.5W	04
24VDC	3W	03
	4.2W	06
	6.5W	04
24VAC	5VA	01
	8.5VA	02
110VAC	5VA	01
	8.5VA	02
230VAC	5VA	03
	8.5VA	01

EVI 7/10 WINDING CODE

Nominal Voltage	Power	Winding Code
12VDC	3W	03
	6.5W	04
24VDC	3W	03
	6.5W	04
24VAC	4VA	01
	7.5VA	02
110VAC	4VA	01
	7.5VA	02
230VAC	8VA	01
	4VA	02

MARKING

ZN = Standard - no logo
AM = Standard + Amisco logo
... = Customized marking



Alternative possibilities for
CUSTOMER LOGO

EVI 7

Coil System

Coil EVI 7/9

Part Number	Characteristics	DC			AC (50 Hz)		AC (60 Hz)	
0709..	Rated power DC W	3	4,2	6,5				
	Inrush power AC VA				7,5	12,5	6,5	10,5
	Rated power AC VA				5	8,5	4,2	7
	Coil temperature rise @50°C ambient T	35	45	70	45	85	35	70
	Copper temperature rise @50°C ambient T	40	50	80	55	95	45	80

Coil EVI 7/8

Part Number	Characteristics	DC			AC (50 Hz)		AC (60 Hz)	
0708...	Rated power DC W	2	3,5	5,5				
	Inrush power AC VA				10		8,5	
	Rated power AC VA				6,5		5,5	
	Coil temperature rise @50°C ambient T	22	35	60	65		57	
	Copper temperature rise @50°C ambient T	30	48	76	80		67	

Coil EVI 7/10

Part Number	Characteristics	DC			AC (50 Hz)		AC (60 Hz)	
0710...	Rated power DC W	4		6,5				
	Inrush power AC VA				7,5	11,5	6,5	9,7
	Rated power AC VA				5	7,5	4,2	6,3
	Coil temperature rise @50°C ambient T	45		75	45	70	41	58
	Copper temperature rise @50°C ambient T	55		90	55	85	50	70

Notes:

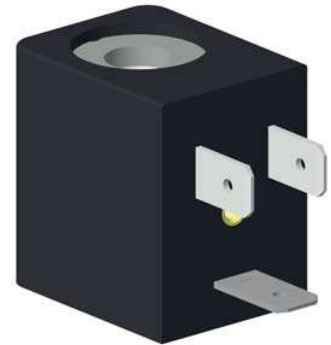
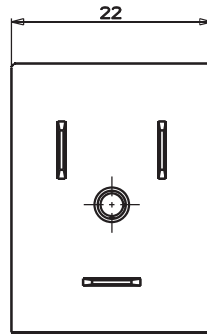
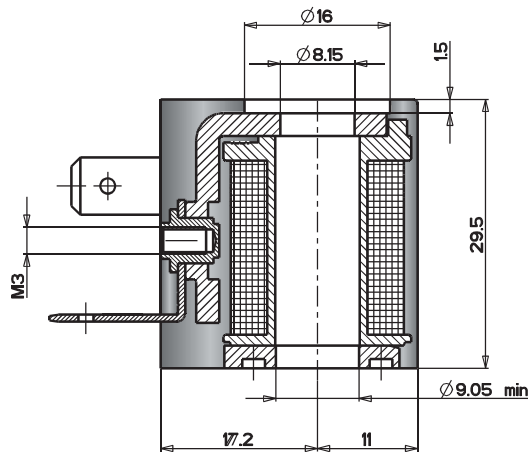
Voltage tolerance:	± 10%	Standard voltages:	24 - 110 - 115 - 220 - 230 VAC
Temperature range:	-40°C ÷ +50°C		12 - 24 VDC
Duty cycle:	100%		Other voltages or power on request

- Power levels, and heating for AC coils are related to Amisco solenoid operators or pilot valves
- The coils performance change according to ambient temperature. All the power levels of this page are @ 20°C
- All the previous and following data can be modified by Amisco at any time

EVI 7/9 AMP 6,3x0,8

PART NUMBER 0709S...

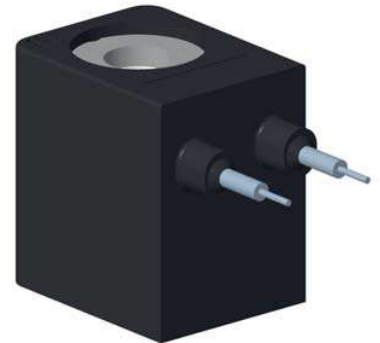
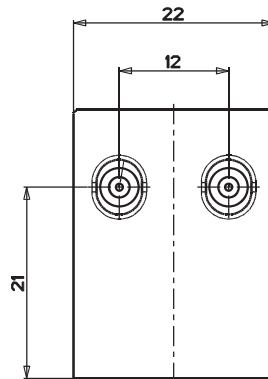
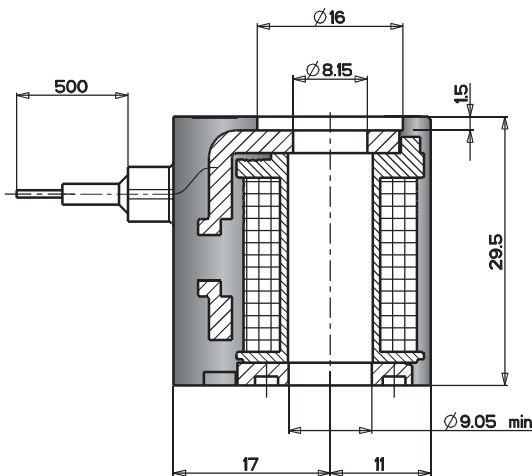
M3 Torque 0,4±0,6Nm



EVI 7/9 Flying Leads

PART NUMBER 0709C...

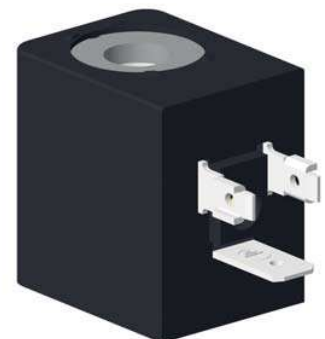
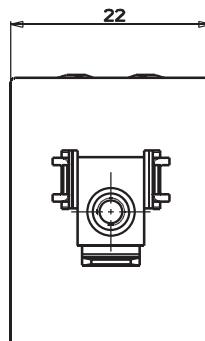
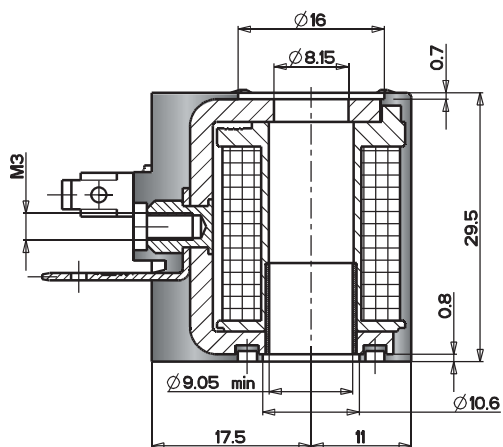
500mm flying leads as a standard, PVC 105°C $\varnothing 2.25$



EVI 7/9 DIN 43650-B (EN 175301-803 ISO 4400)

PART NUMBER 0709D...

M3 Torque 0,4±0,6Nm

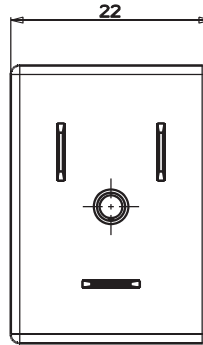
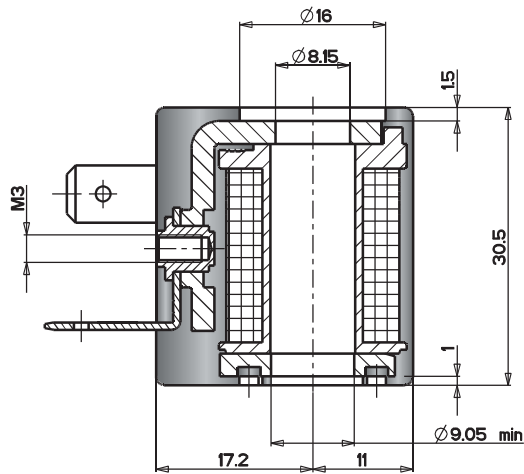


EVI 7/9 AMP 6,3x0,8 Sealed Version

PART NUMBER 0709G...

M3 Torque 0,4±0,6Nm

Available also: - EPOXY encapsulation Part Number 0709E...
- UL class H Part Number 0709F...

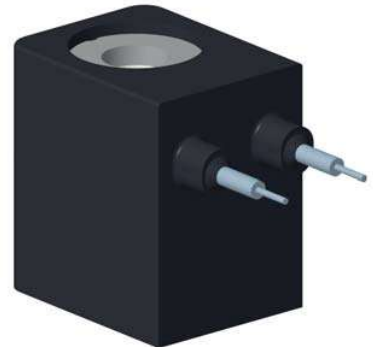
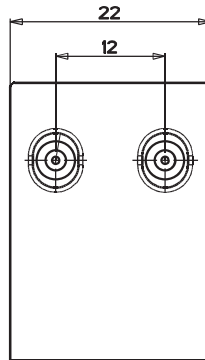
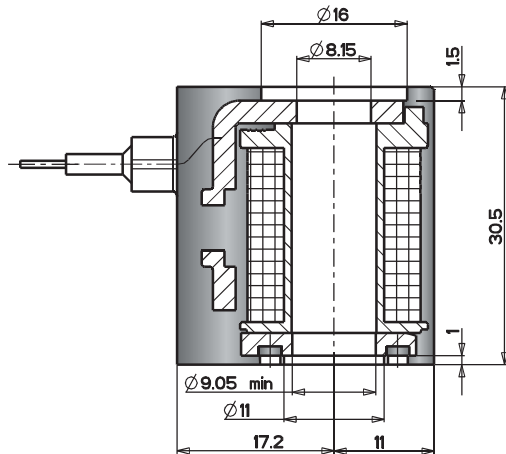


EVI 7/9 Flying Leads Sealed Version

PART NUMBER 0709J...

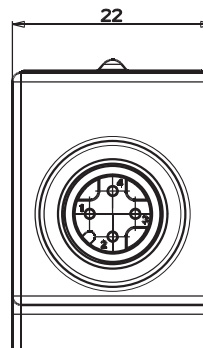
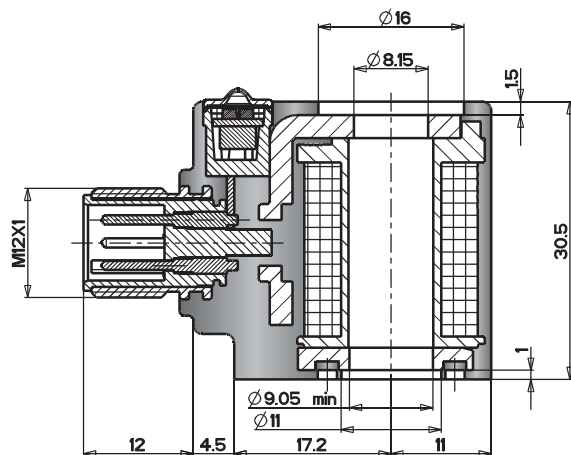
500mm flying leads as a standard, PVC 105°C Ø 2.25

Available also: - UL class H Part Number 0709K... Leads AWG 18, UL Style 10126



EVI 7/9 M12 LED Epoxy

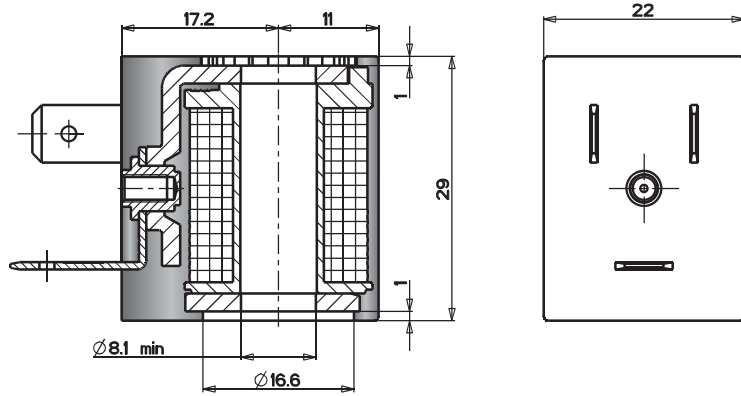
PART NUMBER 0709L...



EVI 7/8 AMP 6,3 x 0,8

PART NUMBER 0708S...

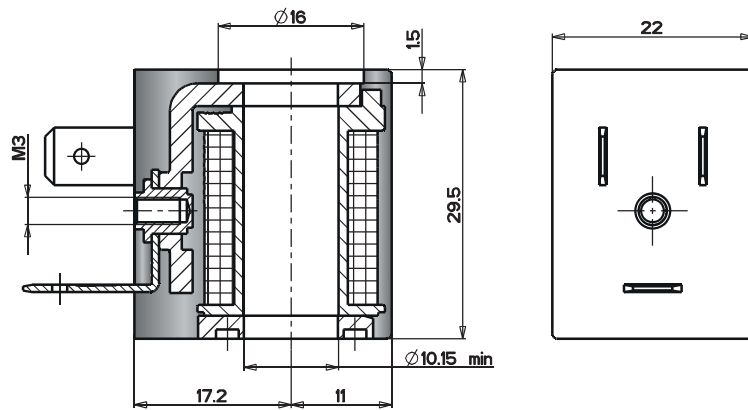
M3 Torque 0,4 - 0,6 Nm



EVI 7/10 AMP 6,3 x 0,8

PART NUMBER 0710S...

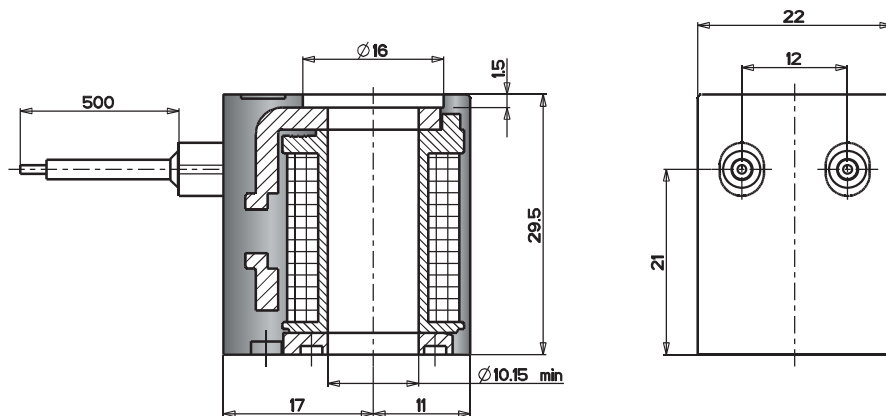
M3 Torque 0,4 - 0,6 Nm



EVI 7/10 Flying Leads

PART NUMBER 0710C...

500 mm flying leads as a standard, PVC 105°C $\varnothing 2.25$



KIT FOR SEALED VERSION



We sell, separately from the coil, a kit to complete the sealing of the 22mm coil, to be equipped on our 22mm pilot valve.

The kit is composed by two O-Rings, a special nut designed for this application, and the assembly instruction.

Complete valve using coil with terminal has been tested positively for IP65.

Complete valve using coil with flying leads has been tested positively for IP67.

Certifications

AMISCO UE DECLARATION OF CONFORMITY **CE**

We declare under our sole responsibility that the product:

Coil type: EVI 7/8

Nominal voltage: up to 240V
 Nominal Power: up to 6.5W [DC] or 8VA [AC]
 Ambient temperature: -40 ÷ +50 °C
 Tolerance range on nominal values: ±10%


Type of connection and other information are available on Amisco catalogue or on request.

Is conform to the following directives:

- 2014/35/UE LV
- 2011/65/UE RoHS

with reference (if applicable) to the following harmonized standards:

• EN 12100 [2010]	• EN 60664/1 [2007]
• EN 60204/1 [2006]	• VDE 0580 [2011]



Filippo Rotondo
 Amisco Technical Division Manager

Paderno Dugnano, 20 April 2016

The data supplied in Amisco catalogues are to be consulted, and pertinent accident prevention regulations are to be followed during product installation and use. Any unauthorized work performed by purchaser or by third parties can impair its functions, and relieves Amisco of all warranty claims and liability for any resulting damage.

Amisco S.p.A.
 Via Piaggio 70
 20037, Paderno Dugnano (MI) - Italy

Tel. +39 02,9900181
 Fax +39 02,99001860
 www.amisco.it

AMISCO UE DECLARATION OF CONFORMITY **CE**

We declare under our sole responsibility that the product:

Coil type: EVI 7/9

Nominal voltage: up to 240V
 Nominal Power: up to 6.5W [DC] or 9VA [AC]
 Ambient temperature: -40 ÷ +50 °C
 Tolerance range on nominal values: ±10%


Type of connection and other information are available on Amisco catalogue or on request.

Is conform to the following directives:

- 2014/35/UE LV
- 2011/65/UE RoHS

with reference (if applicable) to the following harmonized standards:

• EN 12100 [2010]	• EN 60664/1 [2007]
• EN 60204/1 [2006]	• VDE 0580 [2011]



Filippo Rotondo
 Amisco Technical Division Manager

Paderno Dugnano, 6 December 2016

The data supplied in Amisco catalogues are to be consulted, and pertinent accident prevention regulations are to be followed during product installation and use. Any unauthorized work performed by purchaser or by third parties can impair its functions, and relieves Amisco of all warranty claims and liability for any resulting damage.

Amisco S.p.A.
 Via Piaggio 70
 20037, Paderno Dugnano (MI) - Italy

Tel. +39 02,9900181
 Fax +39 02,99001860
 www.amisco.it

AMISCO UE DECLARATION OF CONFORMITY **CE**

We declare under our sole responsibility that the product:

Coil type: EVI 7/10

Nominal voltage: up to 240V
 Nominal Power: up to 6.5W [DC] or 8.5VA [AC]
 Ambient temperature: -40 ÷ +50 °C
 Tolerance range on nominal values: ±10%


Type of connection and other information are available on Amisco catalogue or on request.

Is conform to the following directives:

- 2014/35/UE LV
- 2011/65/UE RoHS

with reference (if applicable) to the following harmonized standards:

• EN 12100 [2010]	• EN 60664/1 [2007]
• EN 60204/1 [2006]	• VDE 0580 [2011]



Filippo Rotondo
 Amisco Technical Division Manager

Paderno Dugnano, 20 April 2016

The data supplied in Amisco catalogues are to be consulted, and pertinent accident prevention regulations are to be followed during product installation and use. Any unauthorized work performed by purchaser or by third parties can impair its functions, and relieves Amisco of all warranty claims and liability for any resulting damage.

Amisco S.p.A.
 Via Piaggio 70
 20037, Paderno Dugnano (MI) - Italy

Tel. +39 02,9900181
 Fax +39 02,99001860
 www.amisco.it

This Certificate does not replace the original EAC Document.

SERCONS CERTIFICATION AUTHORITY **EAC**

CERTIFICATE

In accordance with
SERCONS INTERNATIONAL
 Russian Certification Authority in Europe

the company:
AMISCO S.p.A.
 Via Piaggio 70,
 Paderno Dugnano (MI), 20037
 ITALY

fulfills the necessary requirements to be certified according to EAC regulations.

Valid until: 22.05.2023





SERCONS INTERNATIONAL - Certification Authority
 Piazza della Repubblica, 32 - 20124 MILAN | +39 02 8061 2101 | www.SERCONS.ch/it