



ENAPART



93 S Railroad Avenue Unit C
Bergenfield NJ 07621 USA
www.enapart.com
sales@enapart.com



Via del Canneto 35,
Borgosatollo, Brescia - Italia
www.enapart.it
vendite@enapart.it



Barbaros Mah. Ihlamur Bul. Aĝaoĝlu
My Newwork No:3/15 Ataşehir / İstanbul
www.enapart.net
satis@enapart.net



PRIVADA 10 B SUR #3908 COL.
ANZUREZ, C.P. 72530, PUEBLA, PUE
www.enapart.com.mx
sales@enapart.com.mx



Friedrich-Ebert-Anlage 36, 60325
Frankfurt am Main, Germany
www.enapart.de
anfrage@enapart.de



4 boulevard Carnot, 95400
villiers-le-bel, Paris, France
www.enapart.fr
sales@enapart.fr



65049, ОДЕСА, ВУЛИЦЯ ІВАНА
ФРАНКА, БУДИНОК 55, ПОВЕРХ 3
www.enapart.com.ua
sales@enapart.com.ua



MUNICIPIUL BUCUREȘTI, SECTOR 3,
B-DUL BASARABIA, NR.250, CORP P+5
www.enapart.ro
sales@enapart.ro



〒584-0023 大阪府富田林市若松町
東2丁目2番16号
www.enapart.co.jp
sales@enapart.co.jp



PLAZA NUESTRA SEÑORA DE LAS
NIEVES 12 ,LOCAL ,50012,ZARAGOZA
www.enapart.es
ventas@enapart.es



Складова база „Онгъл“, Склад А2, п.к.
4006, гр. Пловдив, България
www.enapart.bg
sales@enapart.bg



3 Austin Mews, High Street, Hemel
Hempstead, HP1 3AF , United Kingdom
www.enapart.co.uk
sales@enapart.co.uk

MPF Multiport



Maximum pressure 8 bar
Flow rates to 750 l/min

Filter housing (Materials)

- Head: Aluminium
- Cover: Nylon (only for: MPF 020-030-100-104-110)
Aluminium (all the other)
- Bowl: Nylon

Pressure

- Working pressure: 8 bar

Temperature

- From -25 °C to +110 °C

Bypass valve

- Opening pressure 1.75 bar \pm 10%
- Opening pressure 3 bar \pm 10%

Δp Elements type

- Series N and H elements: 10 bar
- Oil flow from outside to inside.

Seals

- Standard NBR series A
- Optional FPM series V

MPF FILTERS ARE PROVIDED FOR VERTICAL MOUNTING

Weights (kg)

Length	1	2	3	4
• MPF 020	0,30	-	-	-
• MPF 030	0,40	-	-	-
• MPF 100	0,61	0,64	0,67	0,74
• MPF 104	0,82	0,96	1,02	1,25
• MPF 110	0,64	0,68	0,71	0,78
• MPF 181	2,20	3,00	-	-
• MPF 182	2,30	3,10	-	-
• MPF 184	2,55	3,45	-	-
• MPF 191	-	3,00	-	-
• MPF 192	-	3,10	-	-
• MPF 194	-	3,45	-	-
• MPF 400	3,35	3,65	3,90	-
• MPF 450-451	3,95	4,25	4,50	-
• MPF 750	6,30	-	-	-

Volumes (dm³)

Length	1	2	3	4
• MPF 020	0,26	-	-	-
• MPF 030	0,29	-	-	-
• MPF 100	0,64	0,85	1,20	1,65
• MPF 104	0,64	0,85	1,20	1,65
• MPF 181	2,50	4,00	-	-
• MPF 182	2,50	4,00	-	-
• MPF 184	2,65	4,45	-	-
• MPF 191	-	4,25	-	-
• MPF 192	-	4,25	-	-
• MPF 194	-	4,45	-	-
• MPF 400	3,70	4,60	5,40	-
• MPF 450-451	3,70	4,60	5,40	-
• MPF 750	8,45	-	-	-

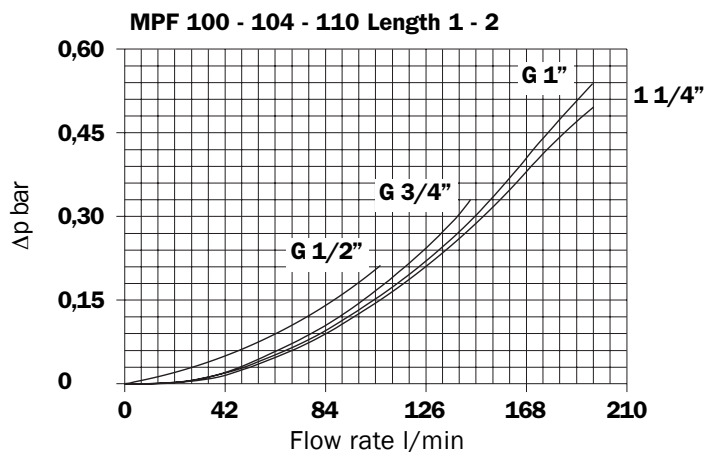
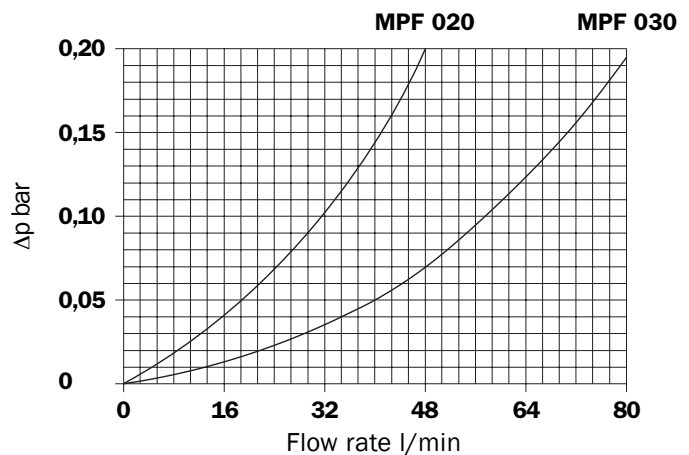
Compatibility (to ISO 2943)

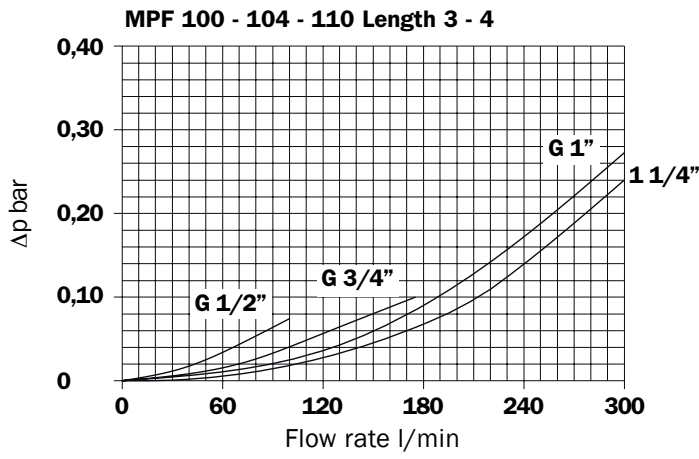
- Housings compatible with:
Mineral oils, synthetic fluids.
Aqueous emulsions, water and glycol (series W required).
- The filter elements are compatible with:
Mineral oils, synthetic fluids.
Aqueous emulsions, water and glycol (series W required).
- NBR seals series A, compatible with:
Mineral oils, synthetic fluids.
Aqueous emulsions, water and glycol.
- FPM seals V series, compatible with:
Synthetic fluids type HS-HFDR-HFDS-HFDU

Filter housings Δp pressure drop

The curves are plotted utilising mineral oil with density of 0.86 kg/dm³ to ISO 3968.

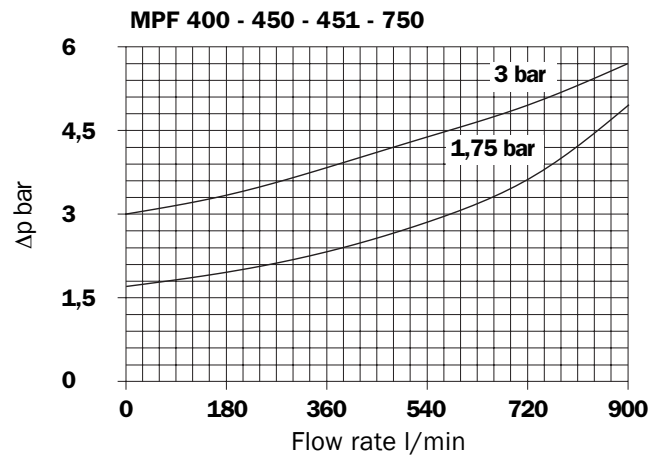
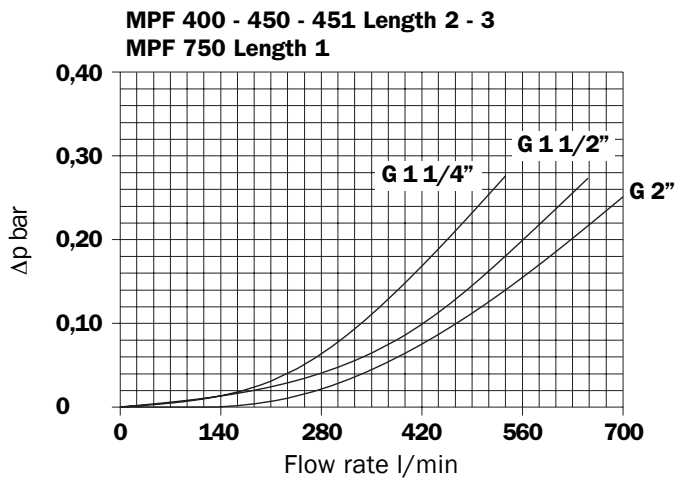
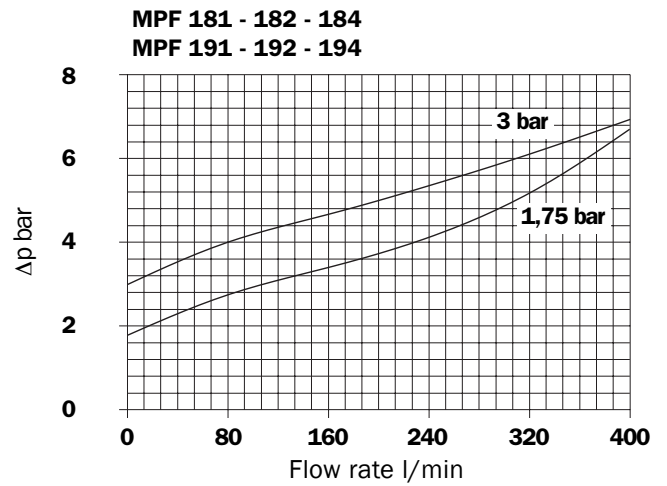
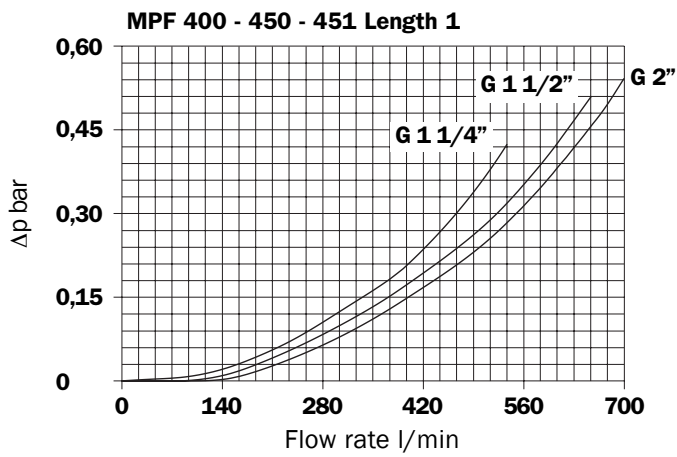
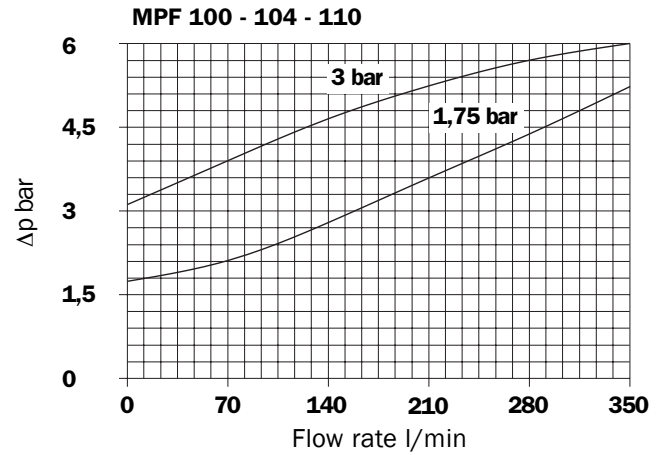
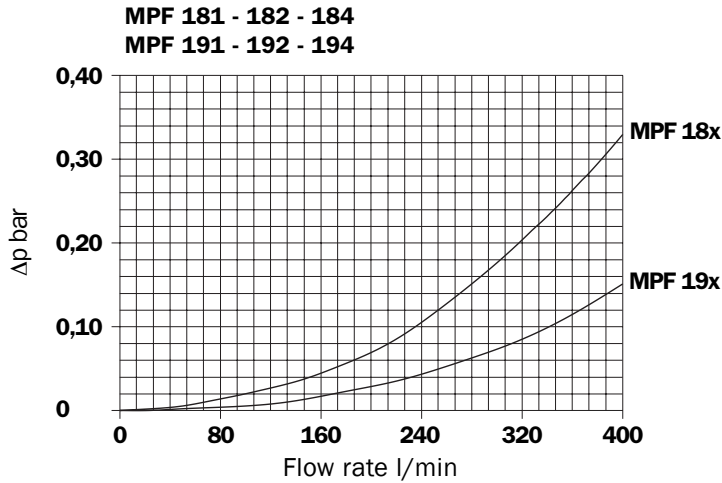
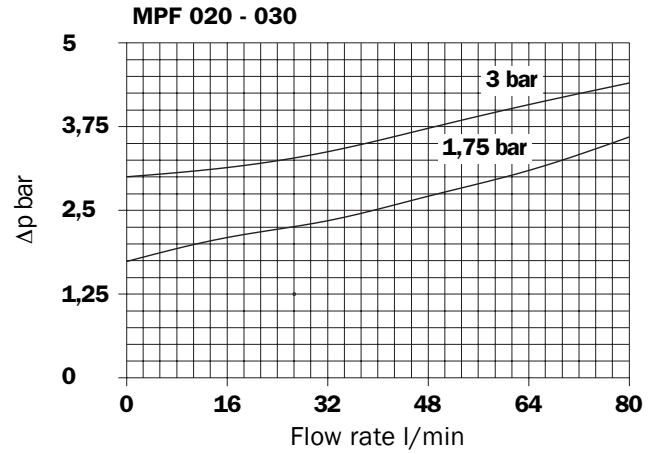
Δp varies proportionally with density.





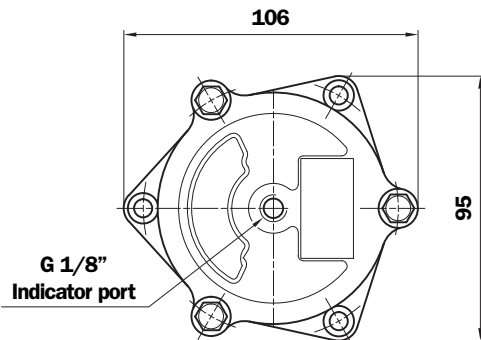
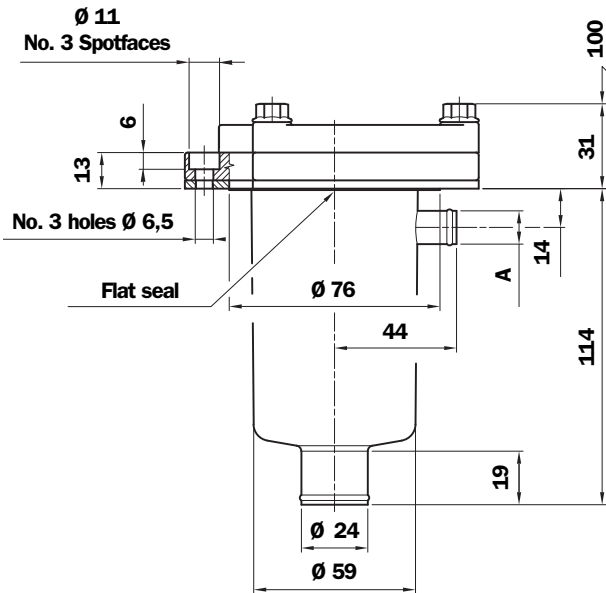
Valves

Bypass valve pressure drop

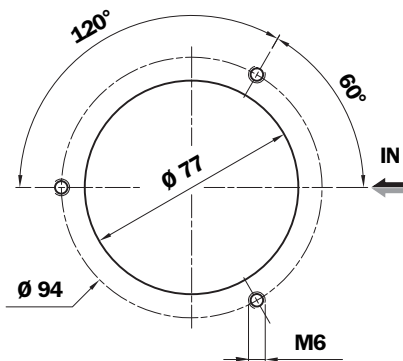


Dimensions

MPF 020



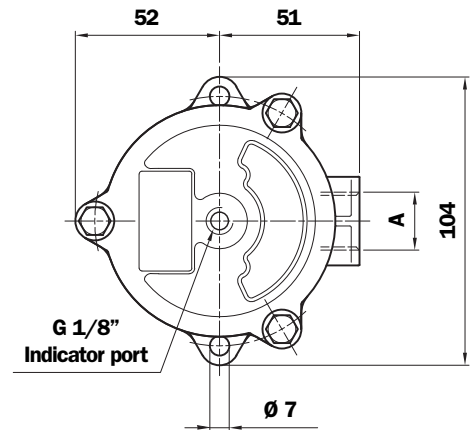
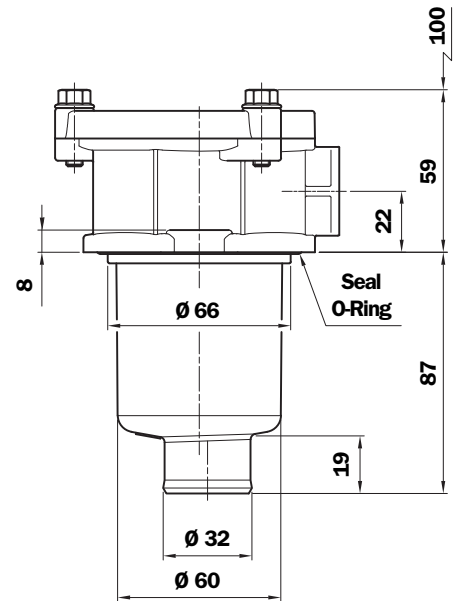
Holes on the tank



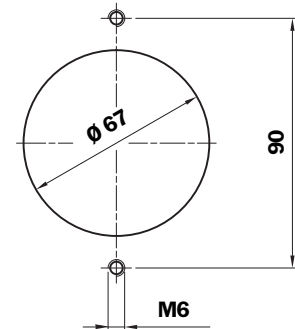
MPF 020 Connection

Type	A
P1	Hose barb - $\varnothing 12$

MPF 030



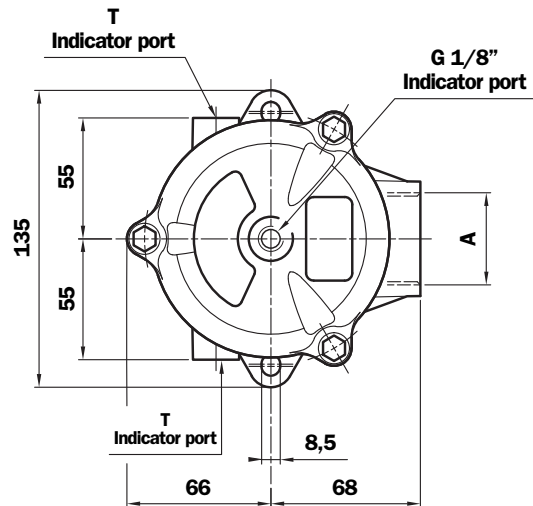
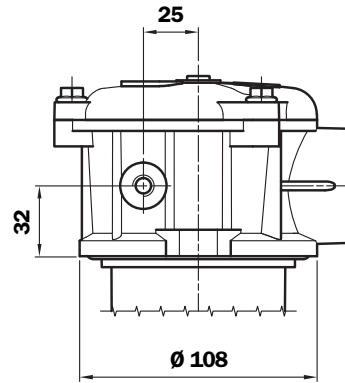
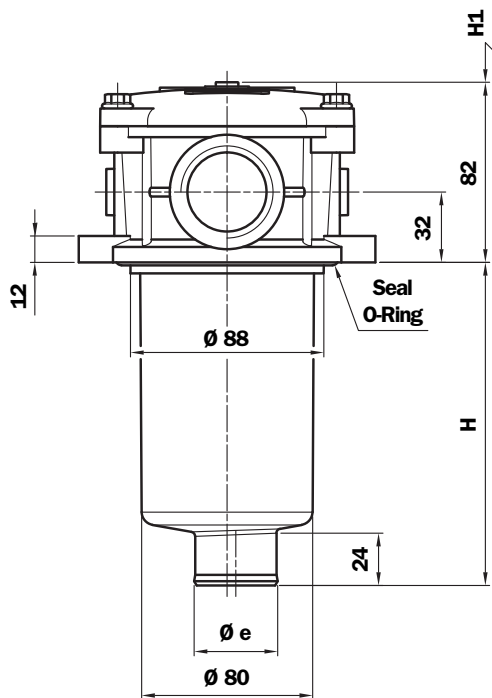
Holes on the tank



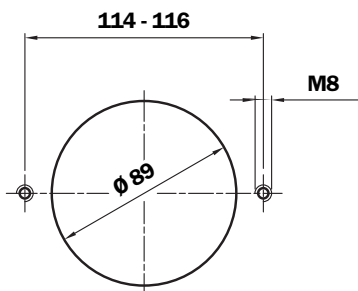
MPF 030 Thread connections

Type	A
G1	G 1/2"
G4	1/2" NPT
G7	SAE 8 - 3/4" - 16 UNF

MPF 100



Holes on the tank



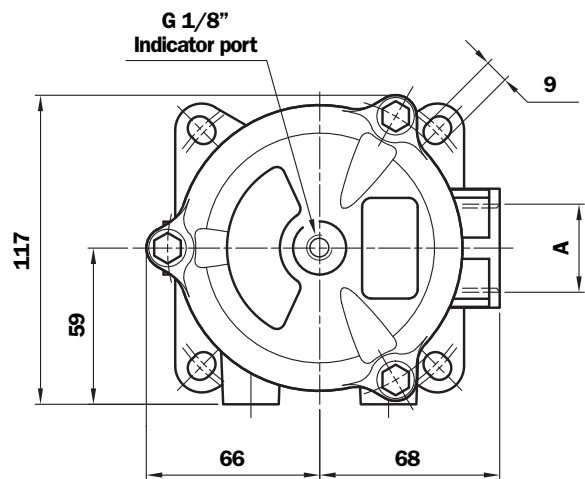
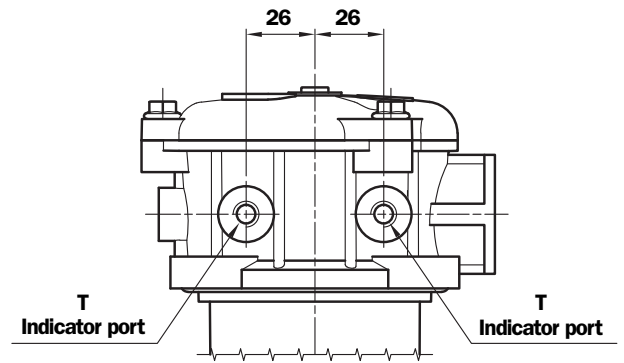
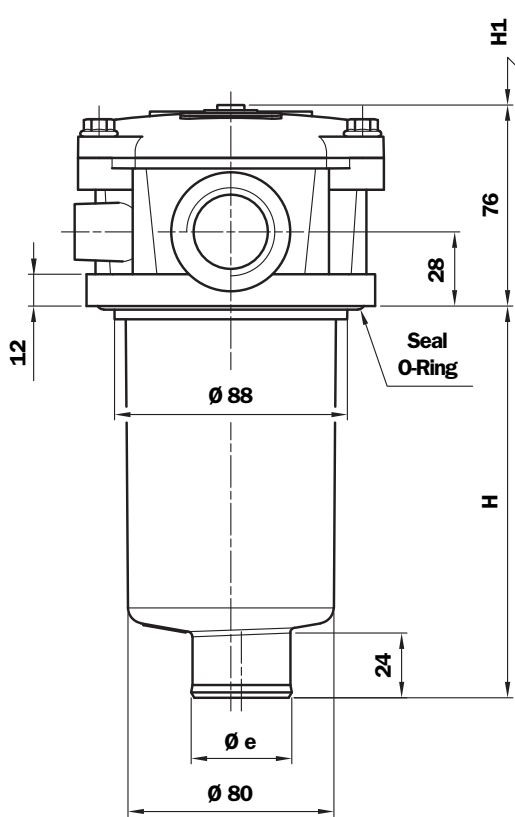
Filter Length	H mm	H1 mm	ϕe mm
1	99	120	38
2	146	170	38
3	224	250	46,5
4	326	350	46,5

T indicator port
G 1/4" - 1/4" NPT
ON REQUEST

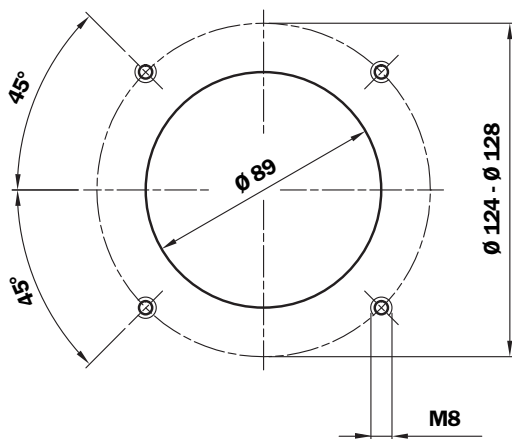
Thread connections

Type 1	T	Type 2	T	A
G1	Indicator port not machined	C1	G 1/8"	G 1/2"
G2		C2	G 1/8"	G 3/4"
G3		C3	G 1/8"	G 1"
G10		C10	G 1/8"	G 1 1/4"
G4		C4	1/8" NPT	1/2" NPT
G5		C5	1/8" NPT	3/4" NPT
G6		C6	1/8" NPT	1" NPT
G11		C11	1/8" NPT	1 1/4" NPT
G7		C7	1/8" NPT	SAE 8 - 3/4" - 16 UNF
G8		C8	1/8" NPT	SAE 12 - 1 1/16" - 12 UN
G9		C9	1/8" NPT	SAE 16 - 1 5/16" - 12 UN
G12		C12	1/8" NPT	SAE 20 - 1 5/8" - 12 UN

MPF 104



Holes on the tank



Filter Length	H mm	H1 mm	Ø e mm
1	103	120	38
2	150	170	38
3	228	250	46,5
4	330	350	46,5

Thread connections

Type 1	T	Type 2	T	A
G1	Indicator port not machined	C1	G 1/8"	G 1/2"
G2		C2	G 1/8"	G 3/4"
G3		C3	G 1/8"	G 1"
G4		C4	1/8" NPT	1/2" NPT
G5		C5	1/8" NPT	3/4" NPT
G6		C6	1/8" NPT	1" NPT
G7		C7	1/8" NPT	SAE 8 - 3/4" - 16 UNF
G8		C8	1/8" NPT	SAE 12 - 1 1/16" - 12 UN
G9		C9	1/8" NPT	SAE 16 - 1 5/16" - 12 UN

MPF 110



Multiport
Standard
Single In Port



Multiport
Double In Port
Option: Double Indicator Port

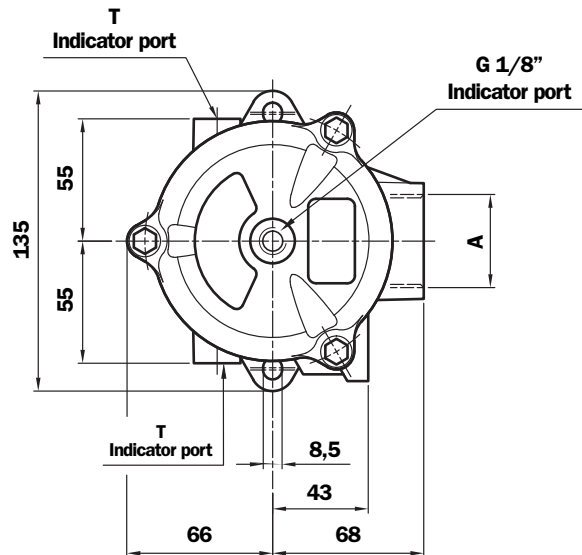
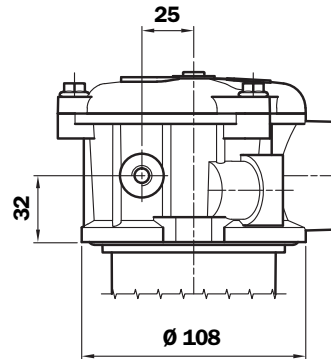
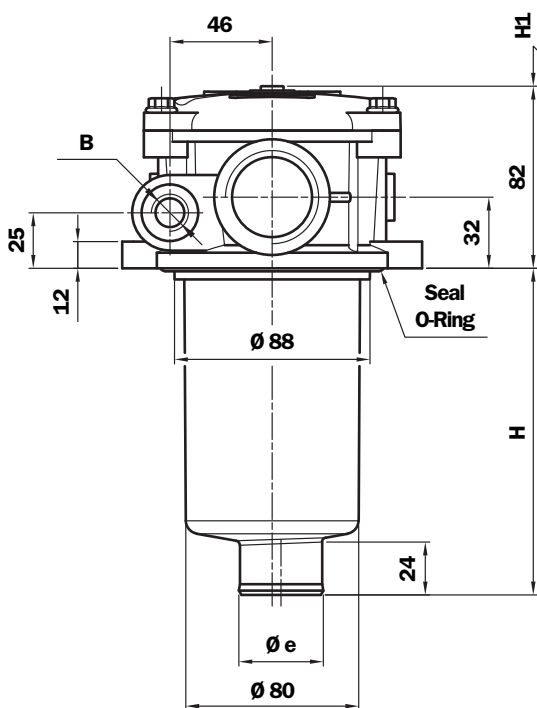


Multiport
Double In Port
Drain Port
Option: Indicator Port

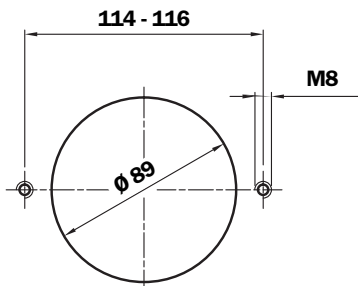


Multiport
Double In Port
Double Drain Port

MPF 110



Holes on the tank



Thread connections A

Type	T	A
G1	G 1/8"	G 1/2"
G2	G 1/8"	G 3/4"
G3	G 1/8"	G 1"
G10	G 1/8"	G 1 1/4"
G4	1/8" NPT	1/2" NPT
G5	1/8" NPT	3/4" NPT
G6	1/8" NPT	1" NPT
G11	1/8" NPT	1 1/4" NPT
G7	1/8" NPT	SAE 8 - 3/4" - 16 UNF
G8	1/8" NPT	SAE 12 - 1 1/16" - 12 UN
G9	1/8" NPT	SAE 16 - 1 5/16" - 12 UN
G12	1/8" NPT	SAE 20 - 1 5/8" - 12 UN

Filter Length	H mm	H1 mm	Ø e mm
1	99	120	38
2	146	170	38
3	224	250	46,5
4	326	350	46,5

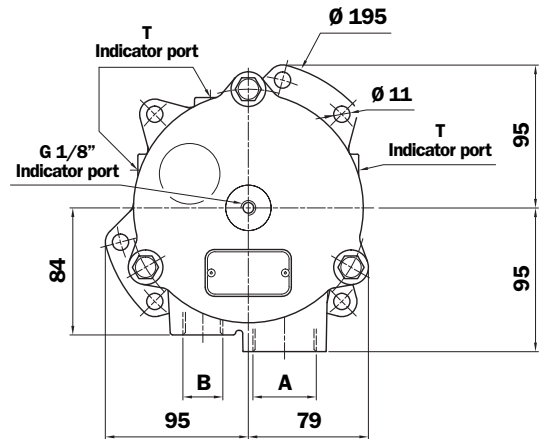
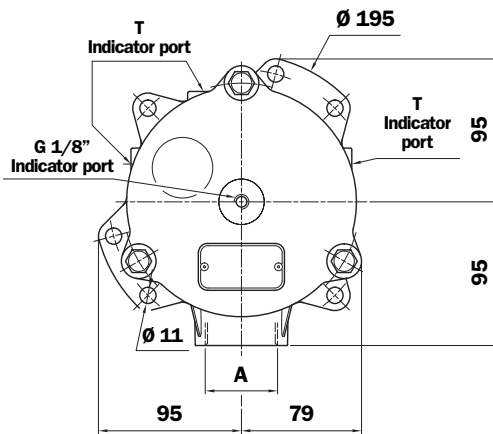
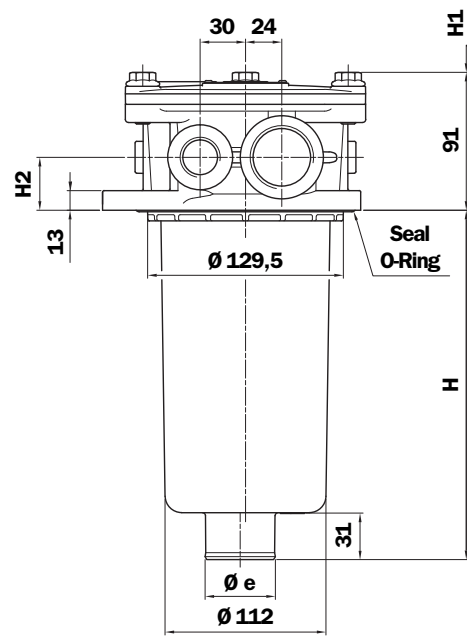
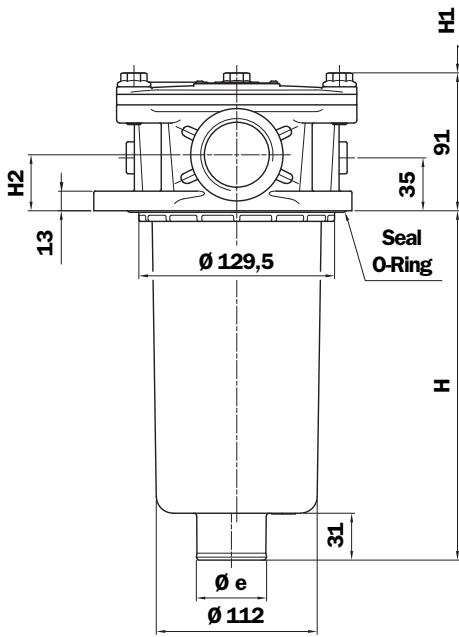
T indicator port
G 1/4" - 1/4" NPT
ON REQUEST

Thread connections A	Thread connections B	
	1	2
G1 - G2 - G3 - G10	G 3/8"	G 1/2"
G4 - G5 - G6 - G11	3/8" NPT	1/2" NPT
G7 - G8 - G9 - G12	SAE 8 - 9/16" - 18 UNF	SAE 8 - 3/4" - 16 UNF

MPF 181 - 191



MPF 182 - 192



2 option holes on the tank

MPF	Filter Length	H mm	H1 mm	Ø e mm
181 - 182	1	233	255	47
	2	445	475	47
191 - 192	2	445	475	50

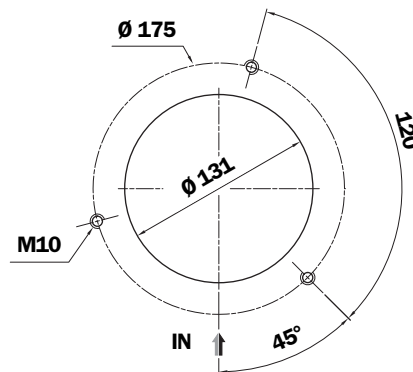
MPF 181 - 191 Thread connections A

Type 1	T	Type 2	T	A	H2
G1	Indicator port not machined	C1	G 1/8"	G 1 1/4"	35
G4		C4	1/8" NPT	1 1/4" NPT	35
G7		C7	1/8" NPT	SAE 20 - 1 5/8" - 12 UN	35
G2	Indicator port not machined	C2	G 1/8"	G 1 1/2"	37
G5		C5	1/8" NPT	1 1/2" NPT	37
G8		C8	1/8" NPT	SAE 24 - 1 7/8" - 12 UN	37

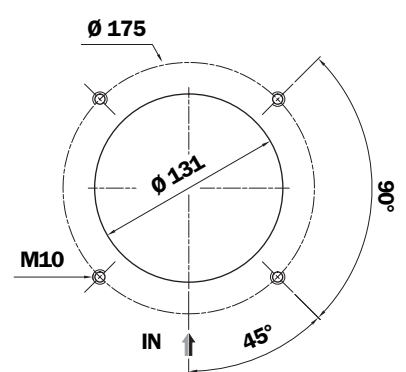
MPF 182 - 192 Thread connections A

Type 1	T	Type 2	T	A	H2
G1	Ind. port not mach.	C1	G 1/8"	G 1 1/4"	35
G4		C4	1/8" NPT	1 1/4" NPT	35
G7		C7	1/8" NPT	SAE 20 - 1 5/8" - 12 UN	35

3 holes assembly



4 holes assembly



Thread connections A	Thread connections B (only for MPF 182 - 192)	
	1	2
G1 - C1	G 1/2"	G 3/4"
G4 - C4	1/2 NPT	3/4" NPT
G7 - C7	SAE 8 - 3/4" - 16 UNF	SAE 12 - 1 1/16" - 12 UN

T indicator port
G 1/4" - 1/4" NPT
ON REQUEST

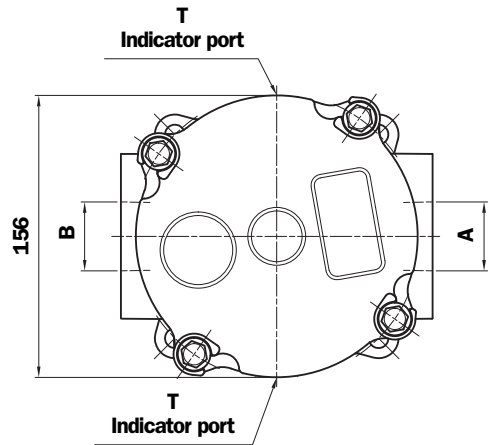
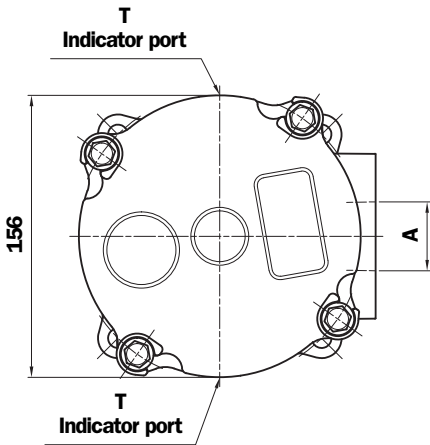
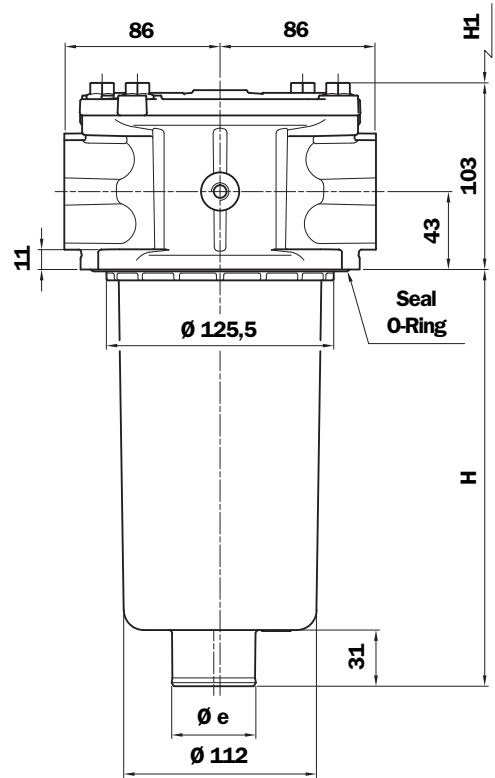
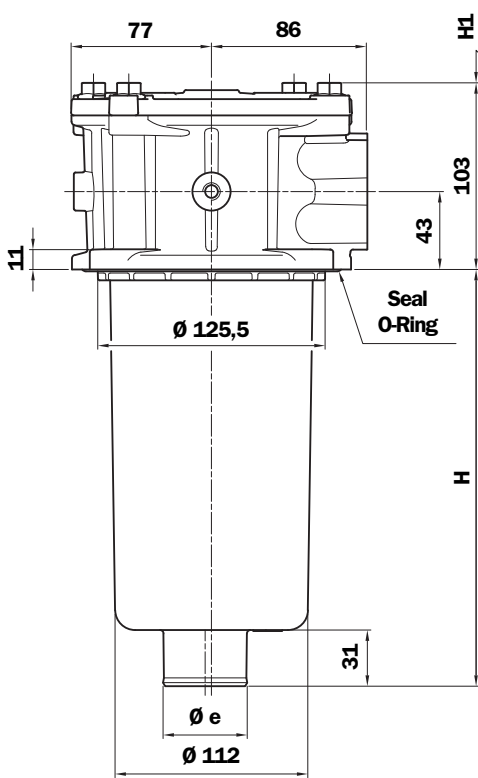
MPF 184 - 194

1 connection port

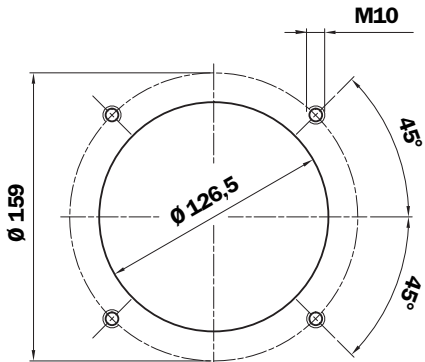


MPF 184 - 194

2 connection port



Holes on the tank



MPF	Filter Length	H mm	H1 mm	Ø e mm
184	1	232	260	47
	2	443	480	47
194	2	443	480	50

Thread connections

Type	A		T
G1	G 1 1/4"	-	G 1/8"
G13	G 1 1/2"	-	G 1/8"
G4	1 1/4" NPT	-	1/8" NPT
G15	1 1/2" NPT	-	1/8" NPT
G7	SAE 20 - 15/8" - 12 UN	-	1/8" NPT
G10	SAE 24 - 17/8" - 12 UN	-	1/8" NPT

Type	A	B	T
G2	G 1 1/4"	G 1 1/4"	G 1/8"
G14	G 1 1/2"	G 1 1/4"	G 1/8"
G5	1 1/4" NPT	1 1/4" NPT	1/8" NPT
G16	1 1/2" NPT	1 1/4" NPT	1/8" NPT
G8	SAE 20 - 15/8" - 12 UN	SAE 20 - 15/8" - 12 UN	1/8" NPT
G11	SAE 24 - 17/8" - 12 UN	SAE 20 - 15/8" - 12 UN	1/8" NPT

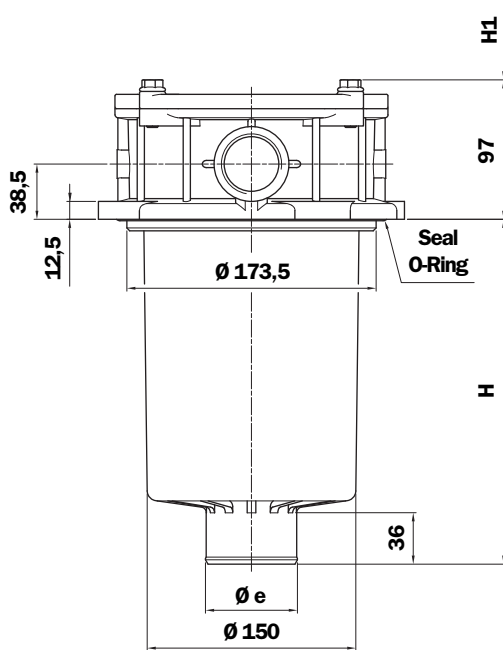
Flange connections*

Type	A		T
F1	1 1/2" SAE 3000 psi/M	-	G 1/8"
F2	1 1/2" SAE 3000 psi/UNC	-	1/8" NPT

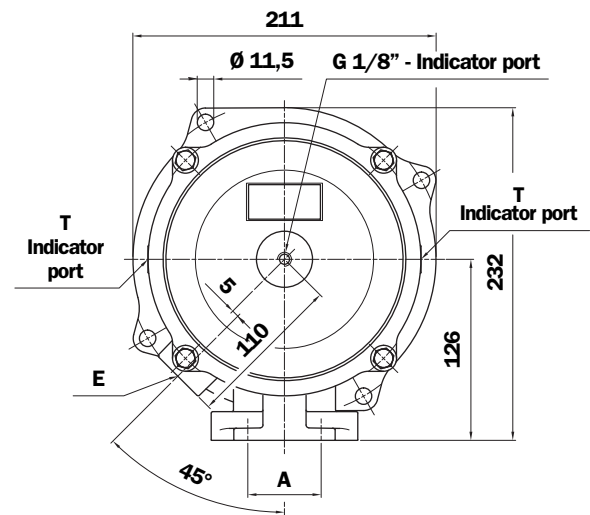
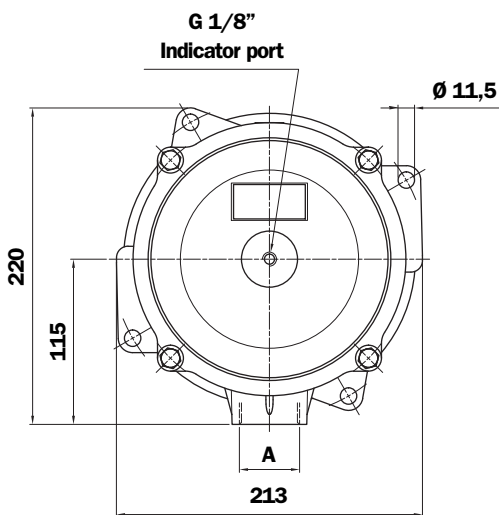
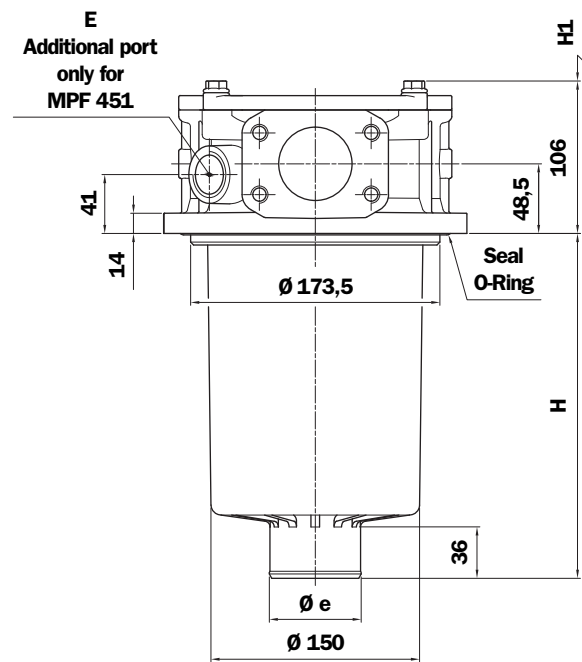
Type	A	B	T
F3	1 1/2" SAE 3000 psi/M	1 1/2" SAE 3000 psi/M	G 1/8"
F4	1 1/2" SAE 3000 psi/UNC	1 1/2" SAE 3000 psi/UNC	1/8" NPT

*Connections table "DN - SAE flange" see page 5

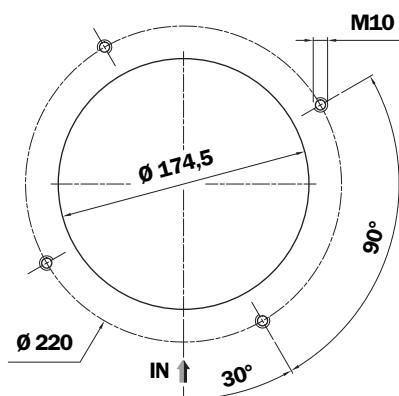
MPF 400



MPF 450 - 451



Holes on the tank



MPF 400

Thread connections

Type	A
G1	G 1 1/4"
G2	G 1 1/2"
G3	G 2"
G4	1 1/4" NPT
G5	1 1/2" NPT
G6	2" NPT
G7	SAE 20 - 1 5/8" - 12 UN
G8	SAE 24 - 1 7/8" - 12 UN
G9	SAE 32 - 2 1/2" - 12 UN

MPF 400 - 450 - 451

Filter Length	H mm	H1 mm	Ø e mm
1	180	210	51
2	240	270	64
3	290	315	64

MPF 450 - 451

Thread connections

Type	A	E ⁽¹⁾	T
G1	G 2"	G 3/4"	G 1/8"
G4	2" NPT	3/4" NPT	1/8" NPT
G7	SAE 32 - 2 1/2" - 12 UN	SAE 12	1/8" NPT

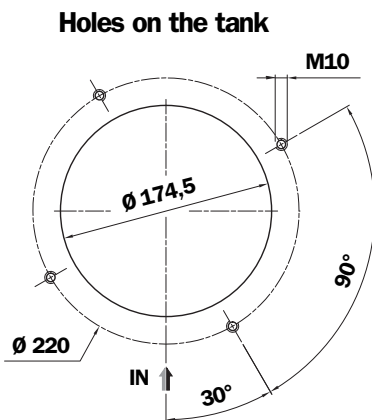
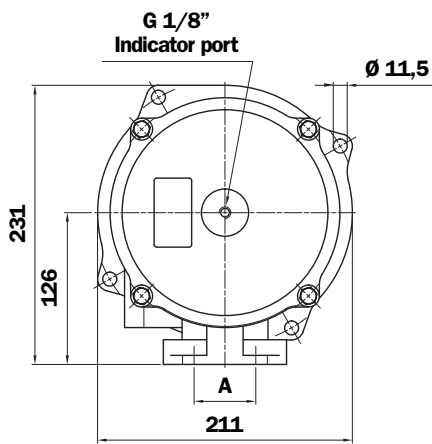
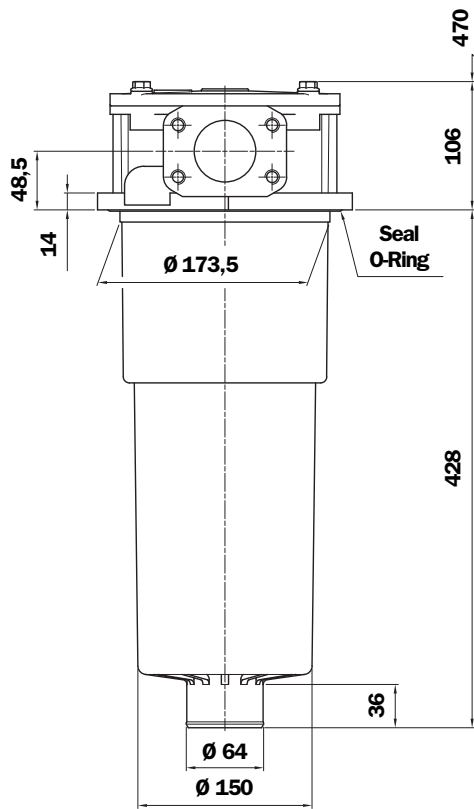
Flange connections MPF 450 - 451⁽²⁾

Type	A	E ⁽¹⁾	T
F1	2" SAE 3000 psi/M	G 3/4"	G 1/8"
F2	2" SAE 3000 psi/UNC	3/4" NPT	1/8" NPT

(1) Additional port only for MPF 451

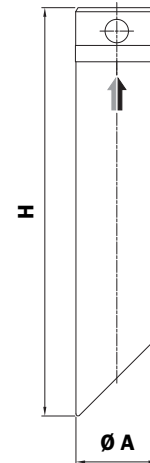
(2) Connections table "DN - SAE flange" see page 5

MPF 750



Accessories

Standard Nylon extension tube
Supplied not fitted



Code	H	Ø A	Size MPF (Option P01)	Filter Length
TE25A200	200	25	030	1
TE25A250	250			
TE25A300	300			
TE25A350	350			
TE25A400	400			
TE25A450	450			
TE25A500	500			
TE32A200	200	32	100 - 104 - 110	1 - 2
TE32A250	250			
TE32A300	300			
TE32A350	350			
TE32A400	400			
TE32A450	450			
TE32A500	500	40	100 - 104 - 110	3 - 4
TE40A200	200			
TE40A250	250			
TE40A300	300			
TE40A350	350		181 - 182 - 184	1 - 2
TE40A400	400			
TE40A450	450			
TE40A500	500			

Thread connections

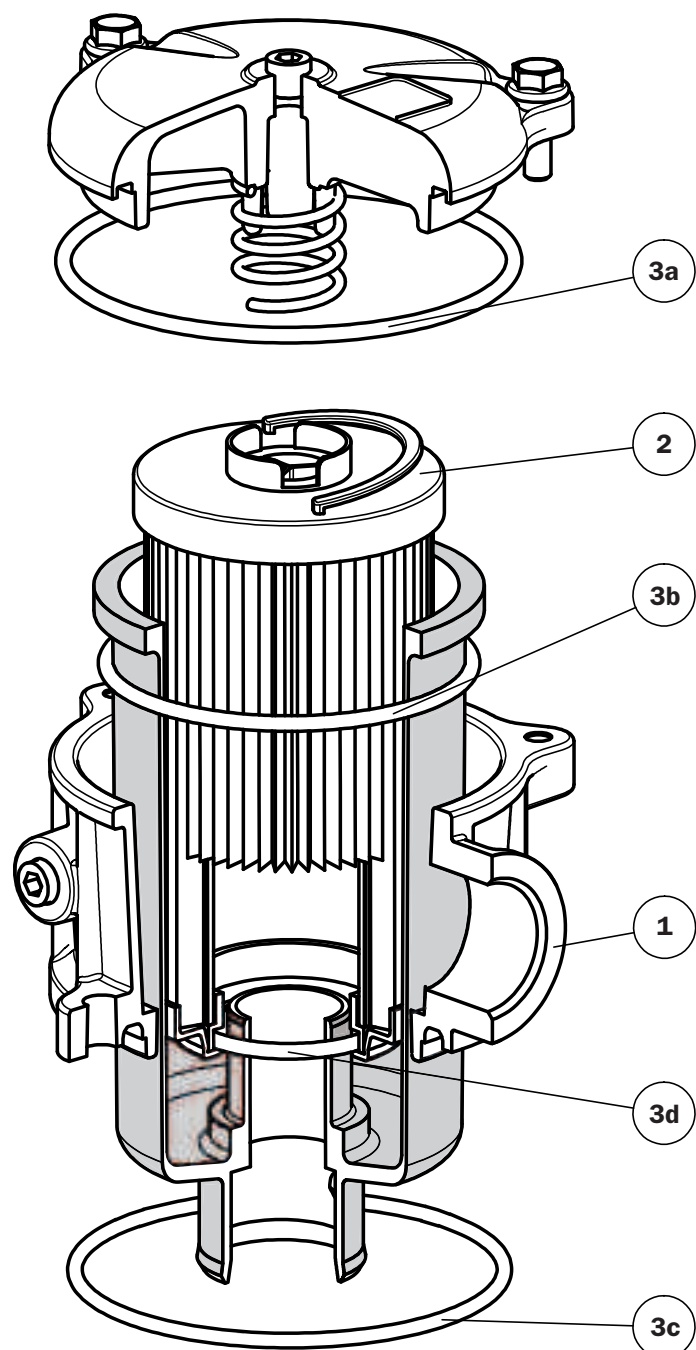
Type	A
G1	G 2"
G4	2" NPT
G7	SAE 32 - 2 1/2" - 12 UN

Flange connections*

Type	A
F1	2" SAE 3000 psi/M
F2	2" SAE 3000 psi/UNC

*Connections table "DN - SAE flange"
see page 5

Spare parts



Spare parts

Item	Description	Q.ty	FILTER Series MPF							
			020		030		100 - 110		104	
1	Filter assembly	1	See order table							
2	Filter element	1	See order table							
3	Seal Kit	1	NBR 02050438	FPM 02050439	NBR 02050055	FPM 02050056	NBR 02050057	FPM 02050058	NBR 02050350	FPM 02050408
3a	Cover seal	1	O-R 174 Ø 71,44 x 3,53		O-R 174 Ø 71,44 x 3,53		O-R 4387 Ø 98,02 x 3,53		O-R 4387 Ø 98,02 x 3,53	
3b	Bowl seal	1	-		O-R 3225 Ø 56,82 x 2,62		O-R 4312 Ø 78,97 x 3,53		O-R 4312 Ø 78,97 x 3,53	
3c	Head seal	1	01026335	01026336	O-R 3275 Ø 69,52 x 2,62		O-R 6362 Ø 91,44 x 5,34		01026256	01026286
3d	Filter element seal	1	O-R 3093 Ø 23,47 x 2,62		O-R 3093 Ø 23,47 x 2,62		Length 1-2 O-R 4112 Ø 28,17 x 3,53		Length 1-2 O-R 4112 Ø 28,17 x 3,53	
							Length 3-4 O-R 4162 Ø 40,86 x 3,53		Length 3-4 O-R 4162 Ø 40,86 x 3,53	

Item	Description	Q.ty	FILTER Series MPF							
			181 - 182		184		191 - 192		194	
1	Filter assembly	1	See order table							
2	Filter element	1	See order table							
3	Seal Kit	1	NBR 02050059	FPM 02050060	NBR 02050455	FPM 02050456	NBR 02050457	FPM 02050458	NBR 02050459	FPM 02050460
3a	Cover seal	1	O-R 4537 Ø 136,10 x 3,53		O-R 4512 Ø 129,80 x 3,53		O-R 4537 Ø 136,10 x 3,53		O-R 4512 Ø 129,80 x 3,53	
3b	Bowl seal	1	O-R 4425 Ø 107,50 x 3,53		O-R 4425 Ø 107,50 x 3,53		O-R 4425 Ø 107,50 x 3,53		O-R 4425 Ø 107,50 x 3,53	
3c	Head seal	1	O-R 6535 Ø 135,89 x 5,34		O-R 210 Ø 133,40 x 5,34		O-R 6535 Ø 135,89 x 5,34		O-R 210 Ø 133,40 x 5,34	
3d	Filter element seal	1	O-R 4162 Ø 40,86 x 3,53		O-R 4162 Ø 40,86 x 3,53		O-R Metric Ø 50 x 4		O-R Metric Ø 50 x 4	

Item	Description	Q.ty	FILTER Series MPF					
			400		450 - 451		750	
1	Filter assembly	1	See order table					
2	Filter element	1	See order table					
3	Seal Kit	1	NBR 02050061	FPM 02050062	NBR 02050461	FPM 02050462	NBR 02050106	FPM 02050107
3a	Cover seal	1	O-R 4675 Ø 171 x 3,53		O-R 4675 Ø 171 x 3,53		O-R 4675 Ø 171 x 3,53	
3b	Bowl seal	1	O-R 221 Ø 149,20 x 5,34		O-R 221 Ø 149,20 x 5,34		O-R 221 Ø 149,20 x 5,34	
3c	Head seal	1	O-R 233 Ø 181 x 6,99		O-R 233 Ø 181 x 6,99		O-R 6720 Ø 183,51 x 5,34	
3d	Filter element seal	1	Length 1 O-R 155 Ø 50,80 x 3,53	Length 1 O-R 155 Ø 50,80 x 3,53	Length 1 O-R 155 Ø 50,80 x 3,53	Length 1 O-R 155 Ø 50,80 x 3,53	O-R 168 Ø 65,09 x 3,53	
			Length 2-3 O-R 168 Ø 65,09 x 3,53	Length 2-3 O-R 168 Ø 65,09 x 3,53	Length 2-3 O-R 168 Ø 65,09 x 3,53	Length 2-3 O-R 168 Ø 65,09 x 3,53		

Ordering information MPF 020-030-104

Filter assembly

MPF

	1	2	3	4	5	6	8	9
Example 1: MPF	104	2	A	G3	A06	H	E	P01
Example 2: MPF	030	1	A	G1	A10	H	B	P01

Filter element

MF

	1	2	5	6	7	8	9
Example 1: MF	100	2	A06	H	B	E	P01
Example 2: MF	030	1	A10	H	B	P01	

1 - Style

Filter	Filter element
020	030
030	030
104	100

2 - Filter length

020	1				
030	1				
104	1	2	3	4	

3 - Filter seals & Treatment

A	NBR
V	FPM
W*	NBR, head anodized
Z*	FPM, head anodized

4 - Connections

MPF 020

Type	A
P1	Hose barb - Ø 12

MPF 030

Type	A
G1	G 1/2"
G4	1/2" NPT
G7	SAE 8 - 3/4" - 16 UNF

MPF 104

Type 1	T	Type 2	T	A
G1	Indicator port not machined	C1	G 1/8"	G 1/2"
G2		C2	G 1/8"	G 3/4"
G3		C3	G 1/8"	G 1"
G4		C4	1/8" NPT	1/2" NPT
G5		C5	1/8" NPT	3/4" NPT
G6		C6	1/8" NPT	1" NPT
G7		C7	1/8" NPT	SAE 8 - 3/4" - 16 UNF
G8		C8	1/8" NPT	SAE 12 - 1.1/16" - 12 UN
G9		C9	1/8" NPT	SAE 16 - 1.5/16" - 12 UN

5 - Filter element

A03	Inorganic microfibre 3 µ	Absolute filtration βx(c) ≥ 1000
A06	Inorganic microfibre 6 µ	
A10	Inorganic microfibre 10 µ	
A16	Inorganic microfibre 16 µ	
A25	Inorganic microfibre 25 µ	
M25	Wire mesh	Nominal Filtration
M60	Wire mesh	
M90	Wire mesh	
P10	Resin impregnated paper	Nominal Filtration
P25	Resin impregnated paper	

6 - Δp Filter element

N	Δp 10 bar (only for filter element type Pxx and Mxx)
H	Δp 10 bar (only for filter element type Axx)
W*	Δp 10 bar (only for filter element type Axx and Mxx)

7 - Filter element seals

B	NBR
V	FPM

8 - By-pass valve

E	3 bar
B	1.75 bar (Omit in the element code - only for 1.75 bar)

9 - Option

P01	MP Filtri standard
------------	--------------------

* Compatible with fluid HFA, HFB, HFC

MP Filtri - The filter functions as described in this bulletin are valid exclusively for original MP Filtri filter elements and replacement parts. All rights reserved

The data in this publication are purely guideline. MP Filtri reserves the right to make changes to the models described herein at any time it deems fit in relation to technical or commercial requirements. The colours of the products shown on the cover are purely guideline. Copyright. All rights reserved.

Ordering information MPF 100-110

Filter assembly	1	2	3	4	5	6	7	9	10
MPF	<input type="checkbox"/>	<input type="checkbox"/>	<input type="checkbox"/>	<input type="checkbox"/>	<input type="checkbox"/>	<input type="checkbox"/>	<input type="checkbox"/>	<input type="checkbox"/>	<input type="checkbox"/>

Example 1: MPF **110 2 A G3 1 A06 H E P01**
 Example 2: MPF **100 1 W G1 A10 W B P01**

Filter element	1	2	6	7	8	9	10
MF	<input type="checkbox"/>	<input type="checkbox"/>	<input type="checkbox"/>	<input type="checkbox"/>	<input type="checkbox"/>	<input type="checkbox"/>	<input type="checkbox"/>

Example 1: MF **100 2 A06 H B E P01**
 Example 2: MF **100 1 A10 W B P01**

1 - Style

Filter	Filter element
100	100
110	100

2 - Filter length

100	1	2	3	4
110	1	2	3	4

3 - Filter seals & Treatment

A	NBR
V	FPM
W*	NBR, head anodized
Z*	FPM, head anodized

4 - Connections A

MPF 100

Type 1	T	Type 2	T	A
G1	Indicator port not machined	C1	G 1/8"	G 1/2"
G2		C2	G 1/8"	G 3/4"
G3		C3	G 1/8"	G 1"
G10		C10	G 1/8"	G 1 1/4"
G4		C4	1/8" NPT	1/2" NPT
G5		C5	1/8" NPT	3/4" NPT
G6		C6	1/8" NPT	1" NPT
G11		C11	1/8" NPT	1 1/4" NPT
G7		C7	1/8" NPT	SAE 8 - 3/4" - 16 UNF
G8		C8	1/8" NPT	SAE 12 - 1 1/16" - 12 UN
G9		C9	1/8" NPT	SAE 16 - 1 5/16" - 12 UN
G12		C12	1/8" NPT	SAE 20 - 1 5/8" - 12 UN

MPF 110

Type	T	A
G1	G 1/8"	G 1/2"
G2	G 1/8"	G 3/4"
G3	G 1/8"	G 1"
G10	G 1/8"	G 1 1/4"
G4	1/8" NPT	1/2" NPT
G5	1/8" NPT	3/4" NPT
G6	1/8" NPT	1" NPT
G11	1/8" NPT	1 1/4" NPT
G7	1/8" NPT	SAE 8 - 3/4" - 16 UNF
G8	1/8" NPT	SAE 12 - 1 1/16" - 12 UN
G9	1/8" NPT	SAE 16 - 1 5/16" - 12 UN
G12	1/8" NPT	SAE 20 - 1 5/8" - 12 UN

5 - Connections B (only for MPF 110)

Type	Connections A		
	G1 - G2 - G3 - G10	G4 - G5 - G6 - G11	G7 - G8 - G9 - G12
1	G 3/8"	3/8" NPT	SAE 6 - 9/16" 18 UNF
2	G 1/2"	1/2" NPT	SAE 8 - 3/4" 16 UNF

6 - Filter element

A03	Inorganic microfibre 3 μ	Absolute filtration β _x (c) ≥ 1000
A06	Inorganic microfibre 6 μ	
A10	Inorganic microfibre 10 μ	
A16	Inorganic microfibre 16 μ	
A25	Inorganic microfibre 25 μ	
M25	Wire mesh	Nominal Filtration
M60	Wire mesh	
M90	Wire mesh	
P10	Resin impregnated paper	Nominal Filtration
P25	Resin impregnated paper	

7 - Δp Filter element

N	Δp 10 bar (only for filter element type Pxx and Mxx)
H	Δp 10 bar (only for filter element type Axx)
W*	Δp 10 bar (only for filter element type Axx and Mxx)

8 - Filter element seals

B	NBR
V	FPM

9 - By-pass valve

E	3 bar
B	1.75 bar (Omit in the element code - only for 1.75 bar)

10 - Option

P01	MP Filtri standard
------------	--------------------

* Compatible with fluid HFA, HFB, HFC

MP Filtri - The filter functions as described in this bulletin are valid exclusively for original MP Filtri filter elements and replacement parts. All rights reserved

The data in this publication are purely guideline. MP Filtri reserves the right to make changes to the models described herein at any time it deems fit in relation to technical or commercial requirements. The colours of the products shown on the cover are purely guideline. Copyright. All rights reserved.

Ordering information NEW MPF 181-182-191-192

Filter assembly	1	2	3	4	5	6	7	9	10 a
MPF	<input type="checkbox"/>	<input type="checkbox"/>	<input type="checkbox"/>	<input type="checkbox"/>	<input type="checkbox"/>	<input type="checkbox"/>	<input type="checkbox"/>	<input type="checkbox"/>	<input type="checkbox"/>
Example 1: MPF	181	1	A	G2		A06	H	E	P01
Example 2: MPF	192	2	A	G1	2	P10	N	B	P01

Filter element	1	2	6	7	8	9	10 b
MF	<input type="checkbox"/>	<input type="checkbox"/>	<input type="checkbox"/>	<input type="checkbox"/>	<input type="checkbox"/>	<input type="checkbox"/>	<input type="checkbox"/>
Example 1: MF	180	1	A06	H	B	E	P01
Example 2: MF	190	2	P10	N	B		P01

1 - Style

Filter	Filter element
181	180
182	180
191	190
192	190

2 - Filter length

181	1	2
182	1	2
191		2
192		2

3 - Filter seals & Treatment

A	NBR
V	FPM
W*	NBR, head anodized
Z*	FPM, head anodized
B	NBR, flat seal on head
D	FPM, flat seal on head
L	NBR, flat seal on head, head anodized
M	FPM, flat seal on head, head anodized

4 - Connections A

MPF 181 - 191

Type 1	T	Type 2	T	A
G1	Indicator port not machined	C1	G 1/8"	G 1 1/4"
G4		C4	1/8" NPT	1 1/4" NPT
G7		C7	1/8" NPT	SAE 20 - 15/8" - 12 UN
G2		C2	G 1/8"	G 1 1/2"
G5		C5	1/8" NPT	1 1/2" NPT
G8		C8	1/8" NPT	SAE 24 - 17/8" - 12 UN

MPF 182 - 192

Type 1	T	Type 2	T	A
G1	Ind. port not mach.	C1	G 1/8"	G 1 1/4"
G4		C4	1/8" NPT	1 1/4" NPT
G7		C7	1/8" NPT	SAE 20 - 15/8" - 12 UN

5 - Connections B (only for MPF 182 - 192)

Type	Connections A		
	G1 - C1	G4 - C4	G7 - C7
1	G 1/2"	1/2" NPT	SAE 8 - 3/4" - 18 UNF
2	G 3/4"	3/4" NPT	SAE 12 - 11/16" - 12 UN

6 - Filter element

A03	Inorganic microfibre	3 μ	Absolute filtration $\beta_x(c) \geq 1000$
A06	Inorganic microfibre	6 μ	
A10	Inorganic microfibre	10 μ	
A16	Inorganic microfibre	16 μ	
A25	Inorganic microfibre	25 μ	
M25	Wire mesh		Nominal Filtration
M60	Wire mesh		
M90	Wire mesh		
P10	Resin impregnated paper		Nominal Filtration
P25	Resin impregnated paper		

7 - Δp Filter element

N	Δp 10 bar (only for filter element type Pxx and Mxx)
H	Δp 10 bar (only for filter element type Axx)
W*	Δp 10 bar (only for filter element type Axx and Mxx)

8 - Filter element seals

B	NBR
V	FPM

9 - By-pass valve

E	3 bar
B	1.75 bar (Omit in the element code - only for 1.75 bar)

10 - Option

a) Filter	
P01	MP Filtri standard
Sxx	Filter assembly with steel extension tube mounted (only for MPF 191-192)
b) Filter element	
P01	MP Filtri standard

* Compatible with fluid HFA, HFB, HFC

MP Filtri - The filter functions as described in this bulletin are valid exclusively for original MP Filtri filter elements and replacement parts. All rights reserved

The data in this publication are purely guideline. MP Filtri reserves the right to make changes to the models described herein at any time it deems fit in relation to technical or commercial requirements. The colours of the products shown on the cover are purely guideline. Copyright. All rights reserved.

Ordering information MPF 184-194-400-750

Filter assembly

MPF

	1	2	3	4	5	6	8	9a
	<input type="checkbox"/>	<input type="checkbox"/>	<input type="checkbox"/>	<input type="checkbox"/>	<input type="checkbox"/>	<input type="checkbox"/>	<input type="checkbox"/>	<input type="checkbox"/>
Example 1: MPF	184	2	A	G2	A06	H	E	P01
Example 2: MPF	750	1	A	G4	P10	N	B	P01

Filter element

MF

	1	2	5	6	7	8	9b
	<input type="checkbox"/>	<input type="checkbox"/>	<input type="checkbox"/>	<input type="checkbox"/>	<input type="checkbox"/>	<input type="checkbox"/>	<input type="checkbox"/>
Example 1: MF	180	2	A06	H	B	E	P01
Example 2: MF	750	1	P10	N	B		P01

1 - Style

Filter	Filter element
184	180
194	190
400 450 451	400
750	750

2 - Filter length

184	1	2
194		2
400 450 451	1	2 3
750	1	

3 - Filter seals & Treatment

A	NBR
V	FPM
W*	NBR, head anodized
Z*	FPM, head anodized

4 - Connections

MPF 184 - 194

Type	A	B
G1	G 1 1/4"	-
G13	G 1 1/2"	-
G4	1 1/4" NPT	-
G15	1 1/2" NPT	-
G7	SAE 20 - 1 5/8" - 12 UN	-
G10	SAE 24 - 1 7/8" - 12 UN	-
G2	G 1 1/4"	G 1 1/4"
G14	G 1 1/2"	G 1 1/4"
G5	1 1/4" NPT	1 1/4" NPT
G16	1 1/2" NPT	1 1/4" NPT
G8	SAE 20 - 1 5/8" - 12 UN	SAE 20 - 1 5/8" - 12 UN
G11	SAE 24 - 1 7/8" - 12 UN	SAE 20 - 1 5/8" - 12 UN
F1	1 1/2" SAE 3000 psi/M	-
F2	1 1/2" SAE 3000 psi/UNC	-
F3	1 1/2" SAE 3000 psi/M	1 1/2" SAE 3000 psi/M
F4	1 1/2" SAE 3000 psi/UNC	1 1/2" SAE 3000 psi/UNC

MPF 400

Type	A	Type	A
G1	G 1 1/4"	G6	2" NPT
G2	G 1 1/2"	G7	SAE 20 - 1 5/8" - 12 UN
G3	G 2"	G8	SAE 24 - 1 7/8" - 12 UN
G4	1 1/4" NPT	G9	SAE 32 - 2 1/2" - 12 UN
G5	1 1/2" NPT	-	-

MPF 450 - 451 - 750

Type	A	E(1)
G1	G 2"	G 3/4"
G4	2" NPT	3/4" NPT
G7	SAE 32 - 2 1/2" - 12 UN	SAE 12
F1	2" SAE 3000 psi/M	G 3/4"
F2	2" SAE 3000 psi/UNC	3/4" NPT

(1) Additional port only for MPF 451

5 - Filter element

A03	Inorganic microfibre	3 μ	Absolute filtration βx (c) ≥ 1000
A06	Inorganic microfibre	6 μ	
A10	Inorganic microfibre	10 μ	
A16	Inorganic microfibre	16 μ	
A25	Inorganic microfibre	25 μ	
M25	Wire mesh		Nominal Filtration
M60	Wire mesh		
M90	Wire mesh		
P10	Resin impregnated paper		Nominal Filtration
P25	Resin impregnated paper		

6 - Δp Filter element

N	Δp 10 bar (only for filter element type Pxx and Mxx)
H	Δp 10 bar (only for filter element type Axx)
W*	Δp 10 bar (only for filter element type Axx and Mxx)

7 - Filter element seals

B	NBR
V	FPM

8 - By-pass valve

E	3 bar
B	1.75 bar (Omit in the element code - only for 1.75 bar)

9 - Option

a) Filter	
P01	MP Filtri standard
Sxx	Filter assembly with steel extension tube mounted (only for MPF 194-400-450-451-750)
b) Filter element	
P01	MP Filtri standard

* Compatible with fluid HFA, HFB, HFC

MP Filtri - The filter functions as described in this bulletin are valid exclusively for original MP Filtri filter elements and replacement parts. All rights reserved

The data in this publication are purely guideline. MP Filtri reserves the right to make changes to the models described herein at any time it deems fit in relation to technical or commercial requirements. The colours of the products shown on the cover are purely guideline. Copyright. All rights reserved.