



ENAPART



93 S Railroad Avenue Unit C
Bergenfield NJ 07621 USA
www.enapart.com
sales@enapart.com



Via del Canneto 35,
Borgosatollo, Brescia - Italia
www.enapart.it
vendite@enapart.it



Barbaros Mah. Ihlamur Bul. Aĝaoĝlu
My Newwork No:3/15 Ataşehir / İstanbul
www.enapart.net
satis@enapart.net



PRIVADA 10 B SUR #3908 COL.
ANZUREZ, C.P. 72530, PUEBLA, PUE
www.enapart.com.mx
sales@enapart.com.mx



Friedrich-Ebert-Anlage 36, 60325
Frankfurt am Main, Germany
www.enapart.de
anfrage@enapart.de



4 boulevard Carnot, 95400
villiers-le-bel, Paris, France
www.enapart.fr
sales@enapart.fr



65049, ОДЕСА, ВУЛИЦЯ ІВАНА
ФРАНКА, БУДИНОК 55, ПОВЕРХ 3
www.enapart.com.ua
sales@enapart.com.ua



MUNICIPIUL BUCUREȘTI, SECTOR 3,
B-DUL BASARABIA, NR.250, CORP P+5
www.enapart.ro
sales@enapart.ro



〒584-0023 大阪府富田林市若松町
東2丁目2番16号
www.enapart.co.jp
sales@enapart.co.jp



PLAZA NUESTRA SEÑORA DE LAS
NIEVES 12 ,LOCAL ,50012,ZARAGOZA
www.enapart.es
ventas@enapart.es



Складова база „Онгъл“, Склад А2, п.к.
4006, гр. Пловдив, България
www.enapart.bg
sales@enapart.bg



3 Austin Mews, High Street, Hemel
Hempstead, HP1 3AF , United Kingdom
www.enapart.co.uk
sales@enapart.co.uk

THE FEED PUMP TYPE SF

The variants of the feed pump SF

Type SF

- pulsation-free pumping delivery
- clockwise or counter-clockwise rotation
- compact construction
- easy to assemble and to detach
- several sealing types
- electrical heating possible

Type SF ATEX

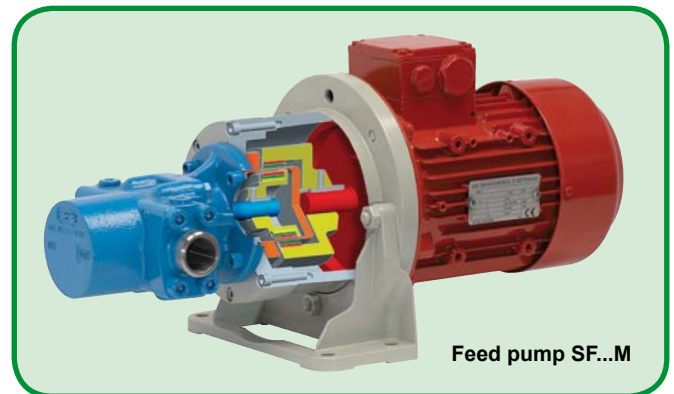
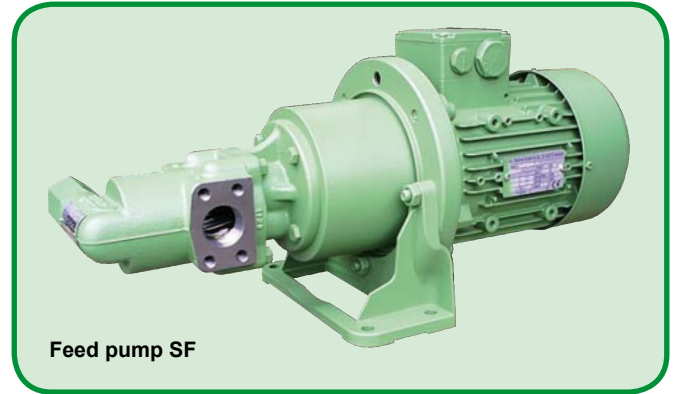


- application in explosive locations acc. to EC-Directives 94/9/EC (ATEX 95)
- area 1 + 21 with temperature control
- area 2 + 22 with/without temperature control
- high degree of safety in potentially explosive atmospheres

Type SF...M

magnetic coupling

- hermetically closed
- even at high temperatures and with media difficult to seal
- application acc. to ATEX possible



Range of pumping liquids (extr.)

old oil • fixing agent • bitumen • brake fluid • diesel oil • printing inks • emulsions colours • fats • transmission lubricant glycol • resins • fuel oil • hydraulic oil isocyanate • cocoa butter • cocoa mass refrigeration oil • glue • engine oil • paraffins • vegetable oil • polyglycol oil • polyol lubricating oil • cutting oil • heavy oil • turbine oil • waxes • heat transfer oil • plasticizer oil • drawing oil • and many more

Reference technical data

Feeding capacity 2 - 1,000 cm³ / turn

Max. speed 1.800 min⁻¹

(Higher speeds possible depending on application.)

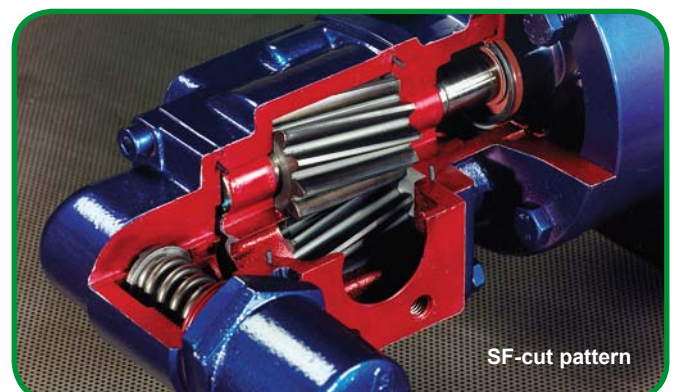
Inlet pressure -0.4 to 10 bar

Differential pressure up to 25 bar

Viscosity range 5 to 50,000 mm²/s

Temperature range -40°C to +250°C

Depending on the application and varying according to the pump size. Please contact us - we will advise you!



Main features

Gear pumps of the series SF are particularly suitable for the transport of media that do neither contain solids nor chemically attack the pump materials while ensuring a minimum lubricity.

The standard version is delivered with rotation „clock-wise“. Simply turn the pump housing by 180° which - even retroactively - allows a changing of the rotational direction. This also changes the direction of the flow.

Upon request we supply the pumps with an adjustable pressure relief valve built in the housing for short-term protection against pressure spikes.

In addition to the direct installation of the pumps the execution of the mounting flange and shaft end also permit many variations of the aggregate assembly.

The optimum integration with minimal tolerances of

the pinions and gear wheels cause an extremely smooth running. The use of gear wheels with 12 teeth reduces the delivery flow pulsation. This is an important contribution to noise reduction.

The shaft journals are mounted in composite bearing bushings, which allow a high continuous duty, and ensure long service life.

To accommodate radial and axial forces all pump sizes can be equipped with an antifriction bearing at the driving end.

In supplement to the standard program, we offer a variety of special designs.

Applications

General machine construction, system engineering, chemical industry, dyestuff industry, filtration, foil manufacture, gear construction, engine construction, paper machines, marine engineering, engineering of lubricating systems, turbine construction, compressors, machine tools, cement systems and many more.

Constructions

| | |
|--|--|
| casing parts: | grey cast iron, nodular iron |
| pinion shafts (SF 2+3): | case hardening steel hardened, helical-toothed, profile-grinded gear teeth |
| shafts (SF 4-10): | case hardening steel hardened |
| gear wheels (SF 4-10): | nodular iron ionitrided, helical-toothed |
| bearings: | composite slide bearings, bronze |
| shaft seal: | radial shaft seal, mechanical seal or magnetic coupling |
| pump body seal: | O-Ring NBR (Perbunan®) O-Ring FKM (Viton®) O-Ring PTFE (Teflon®) |
| Other materials, seals and special designs on request. | |

Use in the ATEX-range



We deliver gear pumps according to **EC-Directives 94/9/EC (ATEX 95)**.

Area 1 + 21 devices that ensure a high level of security and are designed for use in atmospheres that are likely to be explosive. **Shaft seal with temperature control**. Area 2 + 22 devices that ensure a normal level of security and are designed for use in atmospheres that are rarely, and if so, only for a short time potentially explosive. **Shaft seal according to application with/without temperature control**.

Classification of variants

Construction types

| | |
|-------------|--|
| SF | standard design |
| D | pressure relief valve (DBV) |
| F | base |
| VL | lantern according to VDMA |
| VLM | lantern with motor according to VDMA |
| VLMF | lantern w. motor and motor base acc. to VDMA |
| VLFM | lantern w. base and motor acc. to VDMA |

Shaft seals

| | |
|------------|--|
| R | radial shaft seal (WDR) |
| G | mechanical seal (GLRD) |
| GGK | double mechanical seal with support bearing and quench recipient |
| KR | ball bearing with radial shaft seal |
| M | magnetic coupling |

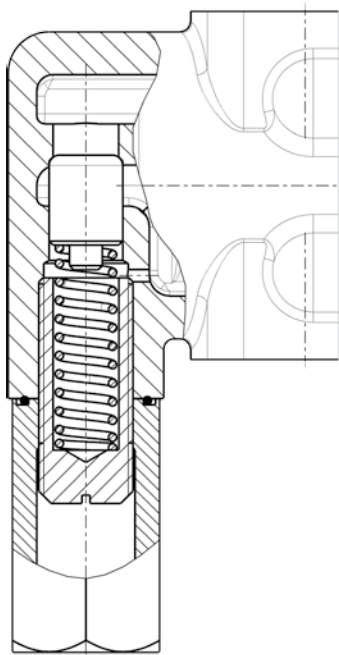
Ordering example

SF 4/63 RD-VLFM

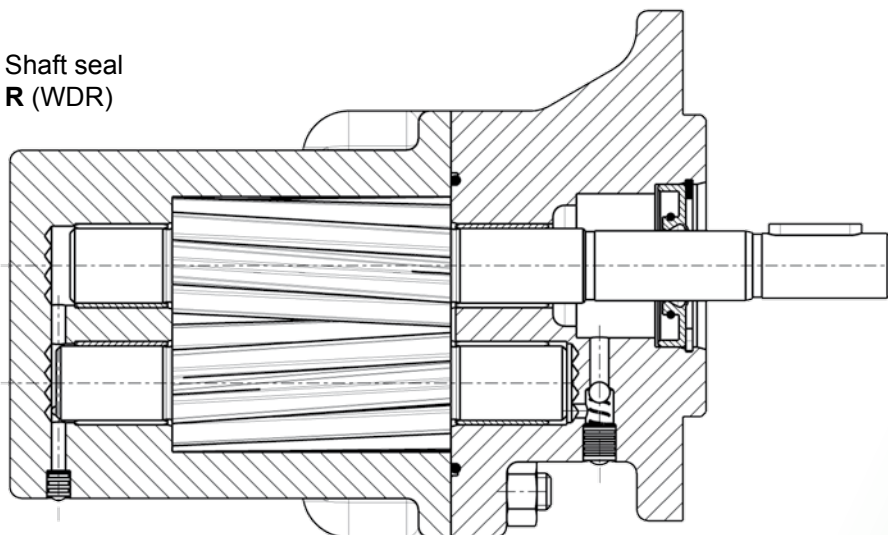
| | |
|------------|---|
| SF | pump type |
| 4 | size |
| 63 | geometric displacement (cm ³) |
| R | radial shaft seal |
| D | pressure relief valve |
| VLF | lantern with base |
| M | drive motor |

Details in section

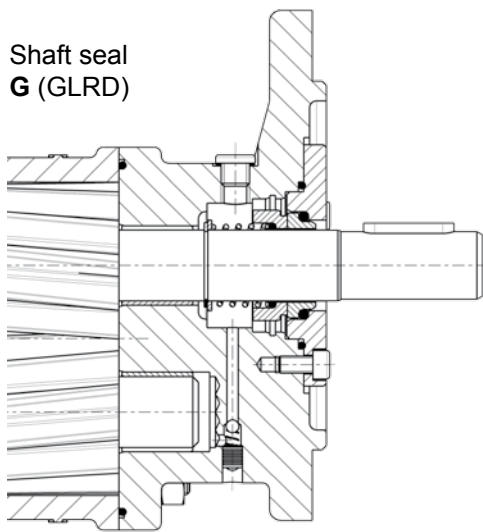
Optional pressure relief valve **DBV**



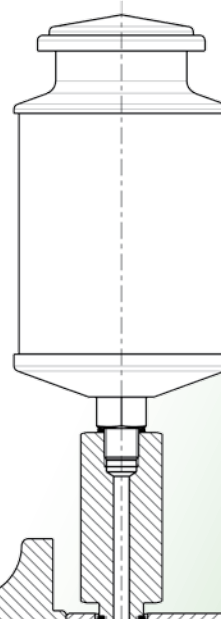
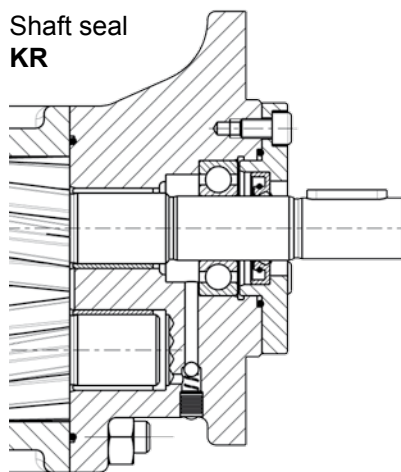
Shaft seal **R (WDR)**



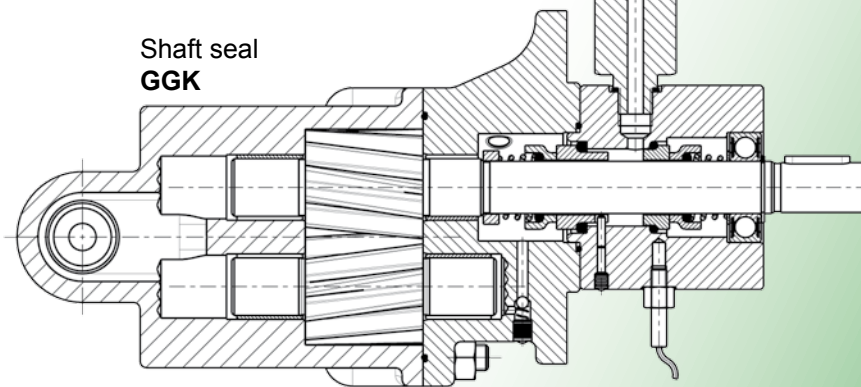
Shaft seal **G (GLRD)**



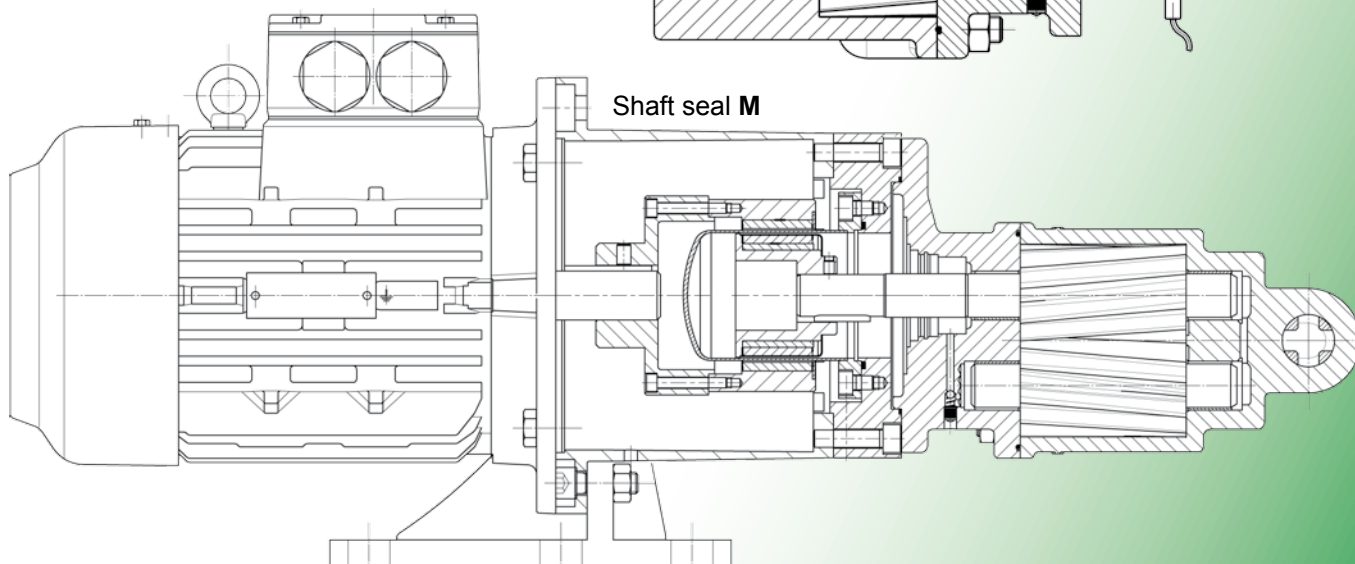
Shaft seal **KR**



Shaft seal **GGK**

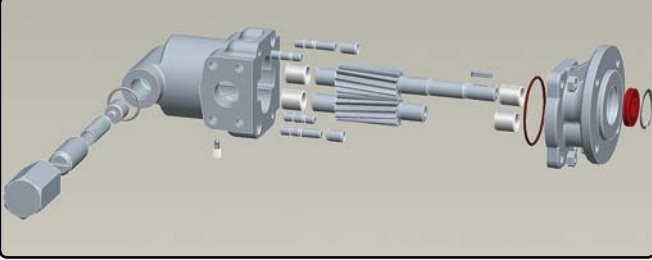


Shaft seal **M**



Components overview

Example composition



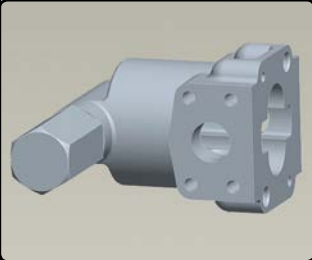
The parts of an SF pump presented in the components overview are to illustrate the variety of this type of pump.

For the sake of clarity, not all optional components are shown. Here we show the essential parts.

Gebr. Steimel is your partner for individual solutions. Talk to us without obligation if you are interested in a consultation on the standard components or even in a customized version besides the range shown here.

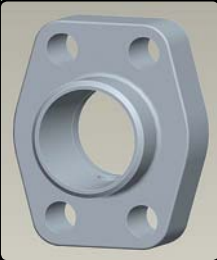
The marking of the ATEX-compliant assemblies made here is not sufficient for an aggregate compilation. ATEX units require advice.

Casing SF2-SF10



Standard design

Flange SAE



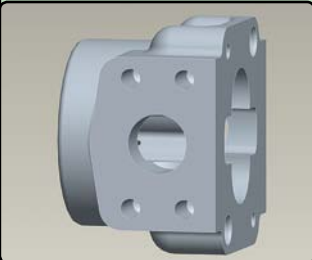
weld

Flange SAE



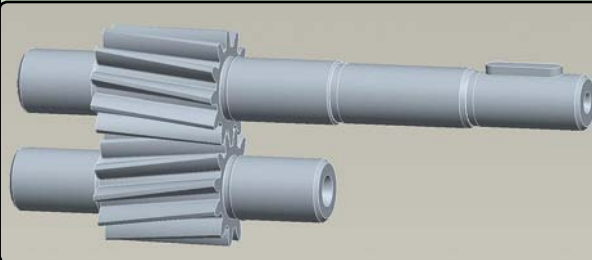
screw in

Casing SF2-SF10

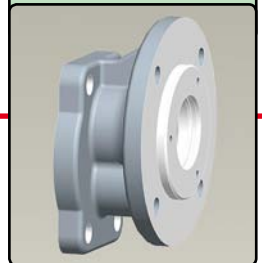


without DBV

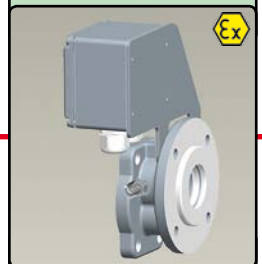
Rotating parts



Cover

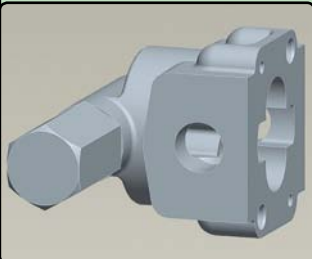


Cover



Temperat. control

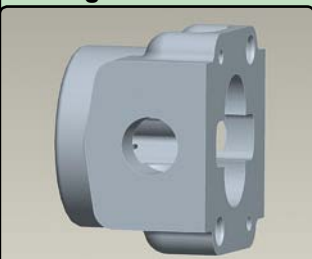
Casing nur SF2



with DBV, with thread

- Main structural components of the pump
- Connection options at the pressure connection and suction port
- Optional components

Casing nur SF2



with thread

Recipient tank



QB500

Recipient tank



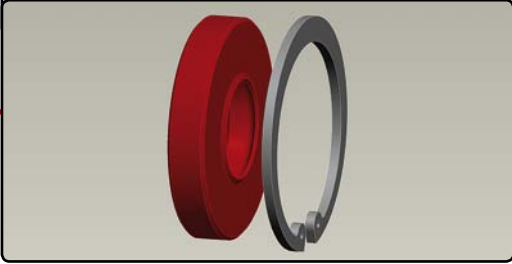
QB1000

Recipient tank

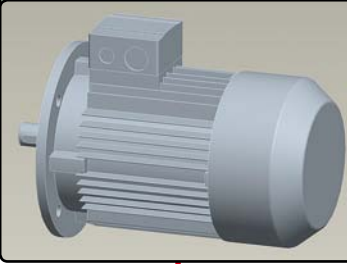



QBS1000

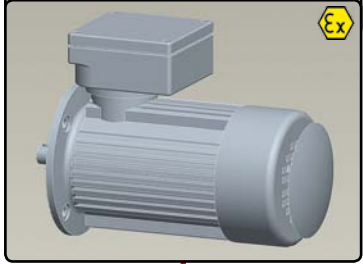
Radial shaft seal **WDR**




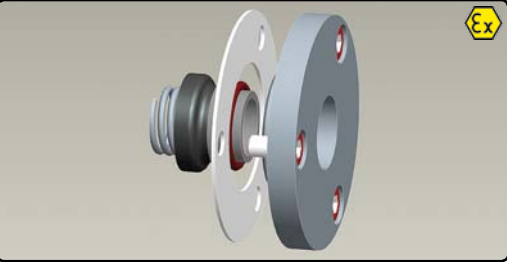
Electric motor




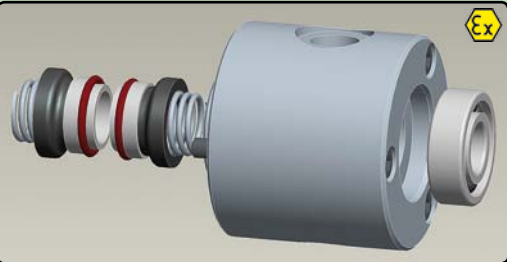
Electric motor acc. to ATEX 



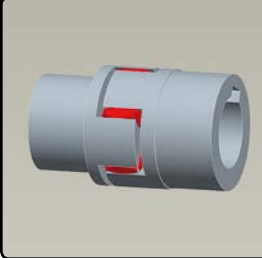
Mechanical seal **GLRD** 



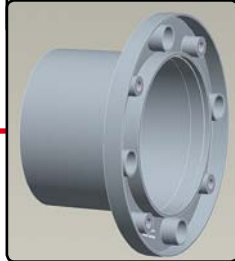
Double mechanical seal **GGK** 




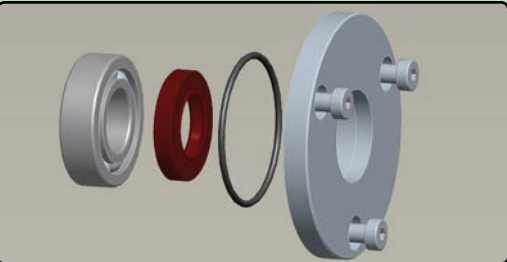
Coupling



Lantern




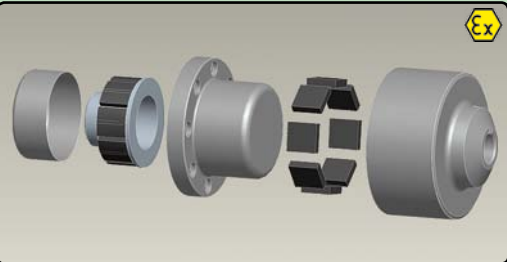
ball bearing with radial shaft seal **KR** 



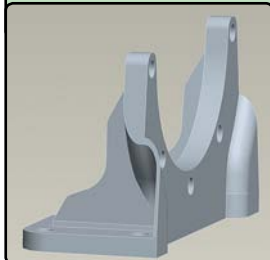
External drive




Magnetic coupling **M** 



Base



PT100 



Throughputs

| Size | Pump rate | Pressure p (bar) at speed n = 1.450 min ⁻¹ | | | | | | | | | | Pump rate cm ³ /turn |
|---------|-----------------------|---|-------|-------|-------|-------|-------|-------|-------|-------|-------|------------------------------------|
| | Rating | 2 | 4 | 6 | 8 | 10 | 12 | 14 | 16 | 20 | 25 | |
| SF 2/2 | l/min | 3.48 | 3.19 | 2.99 | 2.70 | 2.50 | | | | | | 2 |
| | NkW | 0.10 | 0.10 | 0.10 | 0.12 | 0.13 | | | | | | |
| | Motor ¹ kW | 0.25 | 0.25 | 0.25 | 0.25 | 0.25 | | | | | | |
| SF 2/3 | l/min | 4.32 | 4.06 | 3.87 | 3.67 | 3.48 | | | | | | 3 |
| | NkW | 0.10 | 0.10 | 0.12 | 0.15 | 0.17 | | | | | | |
| | Motor ¹ kW | 0.25 | 0.25 | 0.25 | 0.25 | 0.25 | | | | | | |
| SF 2/4 | l/min | 5.32 | 5.12 | 4.93 | 4.64 | 4.45 | 4.13 | 3.96 | 3.77 | | | 4 |
| | NkW | 0.10 | 0.13 | 0.16 | 0.18 | 0.21 | 0.24 | 0.26 | 0.29 | | | |
| | Motor ¹ kW | 0.25 | 0.25 | 0.25 | 0.25 | 0.37 | 0.37 | 0.37 | 0.37 | | | |
| SF 2/5 | l/min | 7.44 | 6.96 | 6.67 | 6.28 | 6.09 | 5.70 | 5.41 | 5.12 | 4.74 | | 5 |
| | NkW | 0.12 | 0.15 | 0.18 | 0.21 | 0.24 | 0.28 | 0.31 | 0.34 | 0.40 | | |
| | Motor ¹ kW | 0.25 | 0.25 | 0.25 | 0.37 | 0.37 | 0.37 | 0.55 | 0.55 | 0.55 | | |
| SF 2/6 | l/min | 9.38 | 8.89 | 8.51 | 8.12 | 7.83 | 7.44 | 7.06 | 6.67 | 5.99 | | 6 |
| | NkW | 0.13 | 0.17 | 0.21 | 0.25 | 0.29 | 0.32 | 0.36 | 0.40 | 0.47 | | |
| | Motor ¹ kW | 0.25 | 0.25 | 0.37 | 0.37 | 0.37 | 0.55 | 0.55 | 0.55 | 0.75 | | |
| SF 2/8 | l/min | 11.70 | 11.21 | 10.63 | 10.15 | 9.67 | 9.18 | 8.80 | 8.31 | 7.35 | 6.28 | 8 |
| | NkW | 0.15 | 0.19 | 0.24 | 0.29 | 0.33 | 0.37 | 0.42 | 0.45 | 0.54 | 0.65 | |
| | Motor ¹ kW | 0.25 | 0.25 | 0.37 | 0.37 | 0.55 | 0.55 | 0.55 | 0.55 | 0.75 | 1.1 | |
| SF 2/10 | l/min | 15.47 | 14.99 | 14.50 | 14.11 | 13.73 | 13.34 | 12.95 | 12.47 | 11.60 | 10.63 | 10 |
| | NkW | 0.18 | 0.23 | 0.28 | 0.33 | 0.38 | 0.42 | 0.46 | 0.51 | 0.61 | 0.72 | |
| | Motor ¹ kW | 0.25 | 0.37 | 0.37 | 0.55 | 0.55 | 0.55 | 0.75 | 0.75 | 0.75 | 1.1 | |
| SF 2/13 | l/min | 19.53 | 18.85 | 18.27 | 17.59 | 17.11 | 16.53 | 16.05 | 15.56 | 14.60 | 13.44 | 13 |
| | NkW | 0.21 | 0.26 | 0.32 | 0.37 | 0.42 | 0.47 | 0.53 | 0.58 | 0.69 | 0.82 | |
| | Motor ¹ kW | 0.37 | 0.37 | 0.55 | 0.55 | 0.55 | 0.75 | 0.75 | 0.75 | 1.1 | 1.1 | |
| SF 2/16 | l/min | 24.75 | 23.97 | 23.39 | 22.72 | 22.14 | 21.46 | 20.88 | 20.20 | 19.14 | 17.40 | 16 |
| | NkW | 0.24 | 0.31 | 0.38 | 0.45 | 0.52 | 0.60 | 0.67 | 0.74 | 0.89 | 1.07 | |
| | Motor ¹ kW | 0.37 | 0.37 | 0.55 | 0.55 | 0.75 | 0.75 | 1.1 | 1.1 | 1.1 | 1.5 | |
| SF 2/20 | l/min | 29.77 | 28.90 | 28.03 | 27.16 | 26.39 | 25.62 | 24.84 | 23.97 | 22.43 | 20.69 | 20 |
| | NkW | 0.26 | 0.36 | 0.44 | 0.53 | 0.63 | 0.72 | 0.82 | 0.92 | 1.11 | 1.35 | |
| | Motor ¹ kW | 0.37 | 0.55 | 0.55 | 0.75 | 0.75 | 1.1 | 1.1 | 1.1 | 1.5 | 2.2 | |
| SF 3/25 | l/min | 38.3 | 37.9 | 37.5 | 37.1 | 36.7 | 36.4 | 36.0 | 35.6 | 34.8 | 33.8 | 25 |
| | NkW | 0.46 | 0.60 | 0.73 | 0.88 | 1.00 | 1.14 | 1.28 | 1.42 | 1.69 | 2.03 | |
| | Motor ¹ kW | 0.75 | 0.75 | 1.1 | 1.1 | 1.5 | 1.5 | 2.2 | 2.2 | 2.2 | 3 | |
| SF 3/32 | l/min | 51.5 | 50.8 | 50.3 | 49.9 | 49.5 | 48.9 | 48.5 | 48.0 | 47.2 | 45.9 | 32 |
| | NkW | 0.60 | 0.77 | 0.95 | 1.12 | 1.29 | 1.45 | 1.67 | 1.80 | 2.17 | 2.57 | |
| | Motor ¹ kW | 0.75 | 1.1 | 1.5 | 1.5 | 2.2 | 2.2 | 2.2 | 2.2 | 3 | 4 | |
| SF 3/40 | l/min | 61.9 | 61.4 | 60.9 | 60.2 | 59.6 | 59.0 | 58.5 | 57.8 | 56.7 | 55.4 | 40 |
| | NkW | 0.62 | 0.81 | 1.00 | 1.20 | 1.40 | 1.60 | 1.80 | 2.01 | 2.42 | 2.90 | |
| | Motor ¹ kW | 0.75 | 1.1 | 1.5 | 1.5 | 2.2 | 2.2 | 2.2 | 3 | 3 | 4 | |
| SF 3/50 | l/min | 73.7 | 72.7 | 72.0 | 71.1 | 70.2 | 69.4 | 68.6 | 67.6 | 65.7 | 63.8 | 50 |
| | NkW | 0.77 | 0.98 | 1.23 | 1.47 | 1.74 | 1.95 | 2.22 | 2.46 | 2.95 | 3.58 | |
| | Motor ¹ kW | 1.1 | 1.5 | 1.5 | 2.2 | 2.2 | 3 | 3 | 3 | 4 | 5.5 | |
| SF 4/63 | l/min | 92.3 | 91.8 | 90.9 | 90.4 | 89.4 | 88.9 | 88.0 | 87.5 | 86.0 | 84.1 | 63 |
| | NkW | 1.06 | 1.34 | 1.64 | 1.93 | 2.24 | 2.51 | 2.80 | 3.14 | 3.77 | 4.54 | |
| | Motor ¹ kW | 1.5 | 2.2 | 2.2 | 3 | 3 | 3 | 4 | 4 | 5.5 | 5.5 | |
| SF 4/80 | l/min | 110 | 109 | 108 | 107 | 106 | 105 | 104 | 103 | 101 | 99 | 80 |
| | NkW | 1.14 | 1.50 | 1.87 | 2.21 | 2.58 | 2.97 | 3.24 | 3.57 | 4.32 | 5.18 | |
| | Motor ¹ kW | 1.5 | 2.2 | 3 | 3 | 4 | 4 | 4 | 5.5 | 5.5 | 7.5 | |
| SF 4/90 | l/min | 129 | 127 | 126 | 124 | 123 | 121 | 120 | 118 | 116 | 114 | 90 |
| | NkW | 1.16 | 1.61 | 2.04 | 2.45 | 2.83 | 3.40 | 3.72 | 4.09 | 5.02 | 6.06 | |
| | Motor ¹ kW | 1.5 | 2.2 | 3 | 3 | 4 | 5.5 | 5.5 | 5.5 | 7.5 | 7.5 | |

NkW = Nominal power consumption at the pump shaft relative to a viscosity of 50-150 mm²/s (cSt).
 The flow rate (l / min) refers 1/min to 1.450. It is reduced according to the rated speed of the engine. Deviation of flow ±5%.
 A viscosity of less than 50 mm²/s reduces the capacity.
¹ Required drive power (20% surcharge is included).

Subject to change.

Throughputs

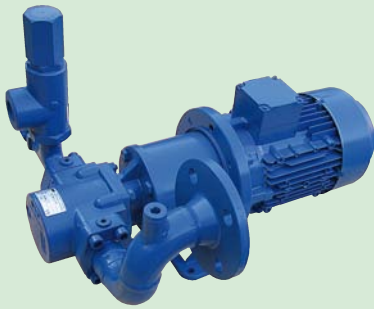
| Size | Pump rate | Pressure p (bar) at speed n = 1,450 min ⁻¹ | | | | | | | | | | Pump rate cm ³ /turn |
|------------|-----------------------|---|-------|-------|-------|-------|------|------|------|-------|------|---------------------------------|
| | Rating | 2 | 4 | 6 | 8 | 10 | 12 | 14 | 16 | 20 | 25 | |
| SF 4/112 | l/min | 148 | 146 | 144 | 142 | 140 | 139 | 137 | 135 | 132 | 128 | 112 |
| | NkW | 1.24 | 1.72 | 2.24 | 2.70 | 3.35 | 3.67 | 4.30 | 4.80 | 5.80 | 7.06 | |
| | Motor ¹ kW | 1.5 | 2.2 | 3 | 4 | 4 | 5.5 | 5.5 | 7.5 | 7.5 | 11 | |
| SF 6/120 | l/min | 176 | 175 | 174 | 173 | 171 | 170 | 169 | 167 | 165 | | 120 |
| | NkW | 1.59 | 2.17 | 2.75 | 3.38 | 3.96 | 4.54 | 5.12 | 5.70 | 6.86 | | |
| | Motor ¹ kW | 2.2 | 3 | 4 | 5.5 | 5.5 | 5.5 | 7.5 | 7.5 | 11 | | |
| SF 6/132 | l/min | 193 | 192 | 191 | 190 | 188 | 187 | 186 | 185 | 183 | | 132 |
| | NkW | 1.79 | 2.48 | 3.19 | 3.91 | 4.59 | 5.32 | 5.99 | 6.72 | 8.12 | | |
| | Motor ¹ kW | 2.2 | 3 | 4 | 5.5 | 5.5 | 7.5 | 7.5 | 11 | 11 | | |
| SF 6/160 | l/min | 229 | 228 | 227 | 225 | 224 | 223 | 222 | 221 | 219 | | 160 |
| | NkW | 1.98 | 2.80 | 3.67 | 4.49 | 5.32 | 6.19 | 7.01 | 7.83 | 9.52 | | |
| | Motor ¹ kW | 3 | 4 | 5.5 | 5.5 | 7.5 | 7.5 | 11 | 11 | 15 | | |
| SF 6/180 | l/min | 263 | 262 | 261 | 259 | 258 | 256 | 255 | 254 | 252 | | 180 |
| | NkW | 2.17 | 3.19 | 4.17 | 5.17 | 6.14 | 7.15 | 8.12 | 9.09 | 11.12 | | |
| | Motor ¹ kW | 3 | 4 | 5.5 | 7.5 | 7.5 | 11 | 11 | 11 | 15 | | |
| SF 8/212 | l/min | 318 | 316 | 314 | 311 | 308 | 304 | 300 | 296 | 290 | | 212 |
| | NkW | 2.7 | 3.8 | 4.9 | 6.0 | 7.2 | 8.3 | 9.6 | 10.7 | 13.0 | | |
| | Motor ¹ kW | 4 | 5.5 | 7.5 | 7.5 | 11 | 11 | 15 | 15 | 18.5 | | |
| SF 8/250 | l/min | 370 | 368 | 366 | 363 | 360 | 356 | 352 | 348 | 342 | | 250 |
| | NkW | 3.3 | 4.6 | 6.0 | 7.4 | 8.8 | 10.2 | 11.3 | 12.5 | 15.4 | | |
| | Motor ¹ kW | 4 | 5.5 | 7.5 | 11 | 11 | 15 | 15 | 15 | 18.5 | | |
| SF 8/300 | l/min | 445 | 443 | 440 | 437 | 434 | 430 | 426 | 422 | 416 | | 300 |
| | NkW | 3.7 | 5.3 | 6.9 | 8.6 | 10.2 | 11.7 | 13.4 | 15.0 | 18.3 | | |
| | Motor ¹ kW | 5.5 | 7.5 | 11 | 11 | 15 | 15 | 18.5 | 18.5 | 22 | | |
| SF 8/350 | l/min | 518 | 515 | 512 | 508 | 504 | 500 | 495 | 490 | 483 | | 350 |
| | NkW | 4.5 | 6.4 | 8.3 | 10.4 | 12.3 | 14.2 | 16.1 | 18.0 | 22.1 | | |
| | Motor ¹ kW | 5.5 | 7.5 | 11 | 15 | 15 | 18.5 | 22 | 22 | 30 | | |
| SF 8/400 | l/min | 592 | 589 | 586 | 582 | 578 | 574 | 569 | 564 | | | 400 |
| | NkW | 6.0 | 8.0 | 9.9 | 11.9 | 13.9 | 16.0 | 18.1 | 20.1 | | | |
| | Motor ¹ kW | 7.5 | 11 | 15 | 15 | 18.5 | 22 | 22 | 30 | | | |
| SF 8/450 | l/min | 665 | 661 | 657 | 653 | 649 | 645 | 640 | 635 | | | 450 |
| | NkW | 6.8 | 9.2 | 11.5 | 13.7 | 16.1 | 18.3 | 20.6 | 22.9 | | | |
| | Motor ¹ kW | 11 | 11 | 15 | 18.5 | 22 | 22 | 30 | 30 | | | |
| SF 10/500 | l/min | 715 | 704 | 694 | 677 | 667 | 657 | 647 | 640 | | | 500 |
| | NkW | 6.6 | 9.35 | 12.1 | 14.9 | 17.6 | 20.4 | 22.6 | 25.3 | | | |
| | Motor ¹ kW | 11 | 11 | 15 | 18.5 | 22 | 30 | 30 | 30 | | | |
| SF 10/575 | l/min | 835 | 825 | 815 | 800 | 785 | 770 | | | | | 575 |
| | NkW | 7.7 | 10.9 | 14.1 | 17.3 | 20.5 | 23.8 | | | | | |
| | Motor ¹ kW | 11 | 15 | 18.5 | 22 | 30 | 30 | | | | | |
| SF 10/650 | l/min | 965 | 955 | 945 | 930 | 915 | 900 | | | | | 650 |
| | NkW | 8.8 | 12.5 | 16.2 | 19.8 | 23.5 | 27.1 | | | | | |
| | Motor ¹ kW | 11 | 15 | 22 | 30 | 30 | 37 | | | | | |
| SF 10/750 | l/min | 1,075 | 1,055 | 1,035 | 1,015 | 995 | 970 | | | | | 750 |
| | NkW | 9.9 | 14.0 | 18.2 | 22.3 | 26.4 | 30.6 | | | | | |
| | Motor ¹ kW | 15 | 18.5 | 22 | 30 | 37 | 37 | | | | | |
| SF 10/875 | l/min | 1,258 | 1,238 | 1,218 | 1,198 | 1,178 | | | | | | 875 |
| | NkW | 11.6 | 16.4 | 21.2 | 26.0 | 30.8 | | | | | | |
| | Motor ¹ kW | 15 | 22 | 30 | 37 | 37 | | | | | | |
| SF 10/1000 | l/min | 1,440 | 1,420 | 1,400 | 1,380 | 1,360 | | | | | | 1,000 |
| | NkW | 13.2 | 18.7 | 24.2 | 29.7 | 35.2 | | | | | | |
| | Motor ¹ kW | 18.5 | 22 | 30 | 37 | 45 | | | | | | |

NkW = Nominal power consumption at the pump shaft relative to a viscosity of 50-150 mm²/s (cSt).
 The flow rate (l/min) refers 1/min to 1,450. It is reduced according to the rated speed of the engine. Deviation of flow ±5%.
 A viscosity of less than 50 mm²/s reduces the capacity.
¹ Required drive power (20% surcharge is included).

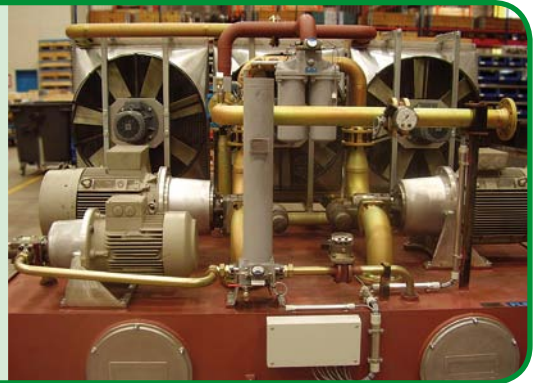
Subject to change.

Model examples

For general machine construction, engineering



e.g. lubricating pump in an oil supply system with filter and oil coolers



For the dyestuff and lacquer industry



e.g. binders pump (resins) according to ATEX with double GLRD (mechanical seal), quench recipient and temperature control



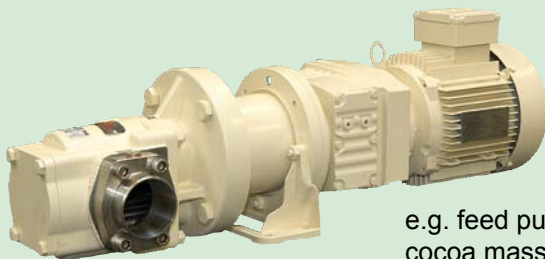
For the chemical industry, petrochemistry



e.g. solvent pump according to ATEX with magnetic coupling and temperature control



For the chocolate industry



e.g. feed pump in chocolate or cocoa mass systems



Steimel

Gebr. Steimel GmbH & Co. Pumps and centrifuges

P.O.Box 1565
53762 Hennef

Johann-Steimel-Platz 1
53773 Hennef
Deutschland • Germany • Allemagne • Alemania

Phone: +49 (0) 2242 8809 -0
Fax: +49 (0) 2242 8809 -160

<http://www.steimel.com> • vtp@steimel.com